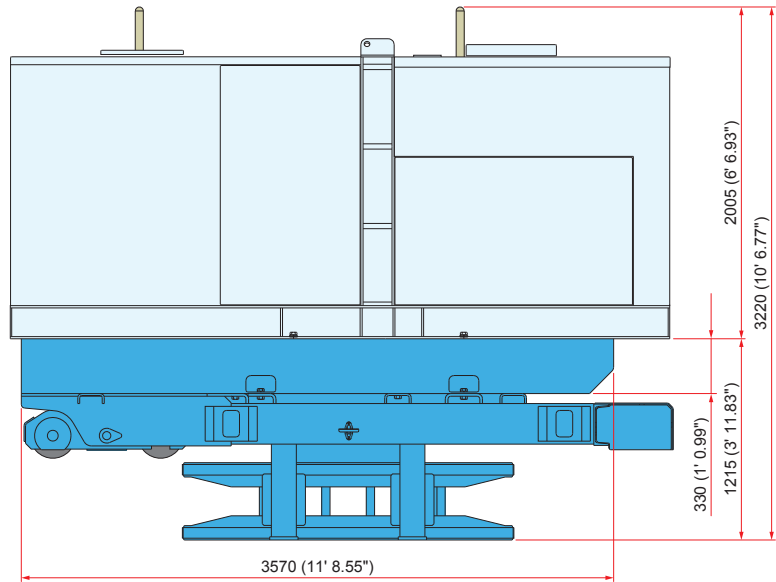
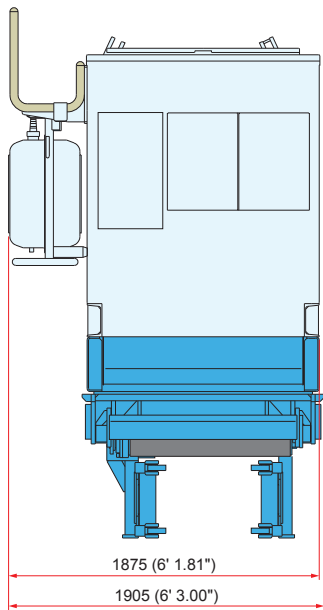


Unit Runner UR1



When EU300I3 is mounted on UR1.

UR1	Metric Unit	US Standard
Travel Speed	7 m/min	22.96 ft/min
Applicable Sheet Piles	400 mm wide SP III, IV	15.74 in wide SP III, IV
	500 mm wide SP V _L , VI _L	19.68 in wide SP V _L , VI _L
	600 mm wide SP III _w , IV _w	23.62 in wide SP III _w , IV _w
Power Unit	EU130, EU200, EU300 *	
Mass	2630 kg	5798 lb

* For detailed information, please consult your nearest Giken Office.

Specifications are subject to alteration without prior notice.