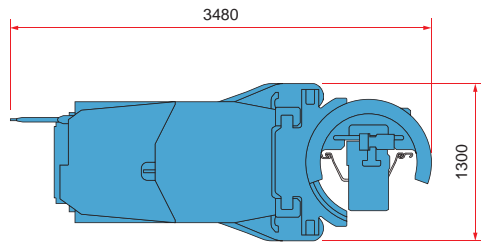
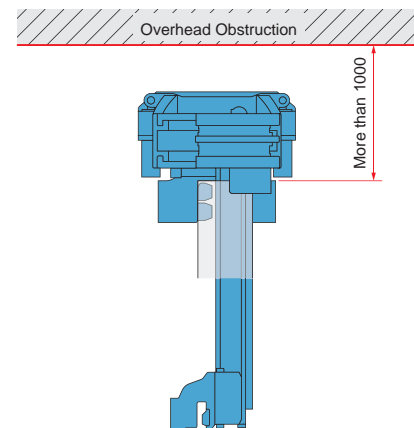
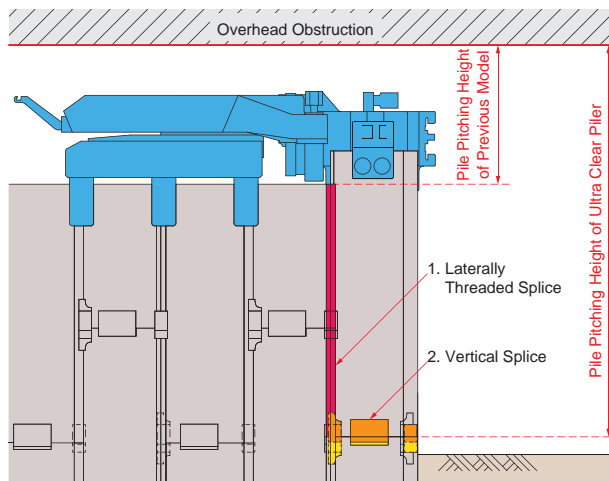
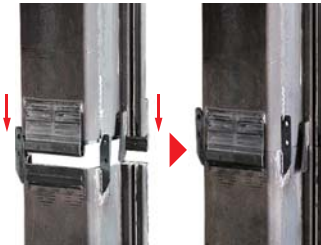


# Ultra Clear Piler (Special sheet pile specification)



Special Sheet Pile



Ultra Clear Piler	Metric Unit
Applicable Piles	Special Sheet Pile Type IIw-IVw (Special Interlock for Ultra Clear Piler)
Max. Press-in Force	686 kN
Stroke	360 mm
Power Unit Type	EU300H4 Crawler Unit
Machine Weight	7500 kg