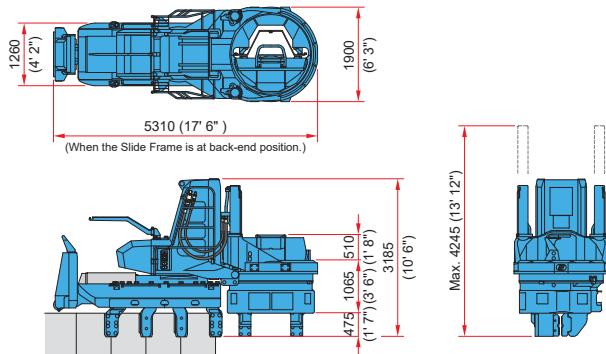
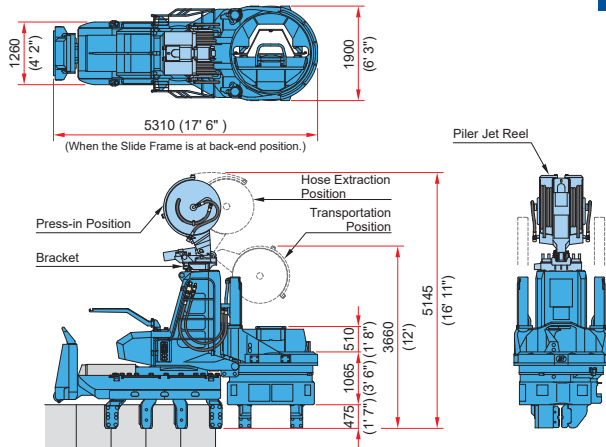


# Z Piler SCZ-675WMG

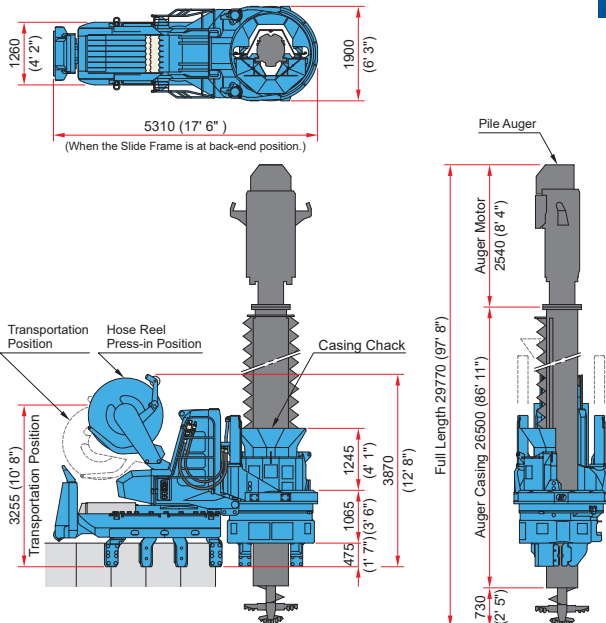
## Super Crush SCZ-675WMG Standard Press-in Mode



## Water Jetting Mode



## Super Crush Mode



SCZ-675WMG	Metric Unit	US Standard
Applicable Piles	560 - 708 mm	22.05 - 27.87 in
Max. Press-in Force	1 300 kN (133 tf)	
For First Sheet Pile	1 300 kN (133 tf)	146.1 tonf (US)
For Second Sheet Pile	400 kN ( 41 tf)	45.0 tonf (US)
At Corner Work	700 kN ( 72 tf)	78.7 tonf (US)
Max. Extraction Force		
For First Sheet Pile	1 400 kN (143 tf)	157.4 tonf (US)
For Second Sheet Pile	500 kN ( 51 tf)	56.2 tonf (US)
At Corner Work	800 kN ( 82 tf)	89.9 tonf (US)
Stroke	1 200 mm	47.24 in
Single Press-in Speed	2.1 - 23.2 m/min	6.9 - 76.1 ft/min
Single Extraction Speed	1.7 - 18.9 m/min	5.6 - 62.0 ft/min
Power Unit Type	EU300C2G, EU300F3G	

Piler Jet Reel		Metric Unit	US Standard
Mass	Piler Jet Reel	1 350 kg	3 000 lb
	Bracket	280 kg	620 lb

Hose Reel		Metric Unit	US Standard
Hose Length		30 m (Max. 40 m)	98.4 ft (Max. 131 ft)
Hose Reel Rewind		Max. 5.5 kN	Max. 0.6 tonf (US)
Mass		2 750 kg	6 100 lb

Pile Auger		Metric Unit	US Standard
Applicable Pile Length		Max. 21 m	Max. 69 ft
Max. Auger Torque		100 kN·m	73 800 ft-lb
Max. Rotation Speed		22 min <sup>-1</sup>	22 rpm
Mass		18 400 kg	40 600 lb

Total Machine Mass	Metric Unit	US Standard
Standard Press-in Mode	22 350 kg	49 300 lb
Water Jetting Mode	23 980 kg	52 900 lb
Super Crush Mode*1	27 400 kg	60 500 lb

\*1 Excluding Pile Auger.

Specifications are subject to alteration without prior notice.