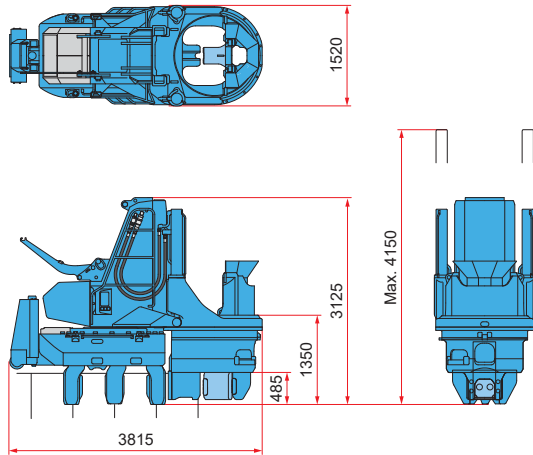


Z Piler SCZ-675SMG

Standard Press-in Mode

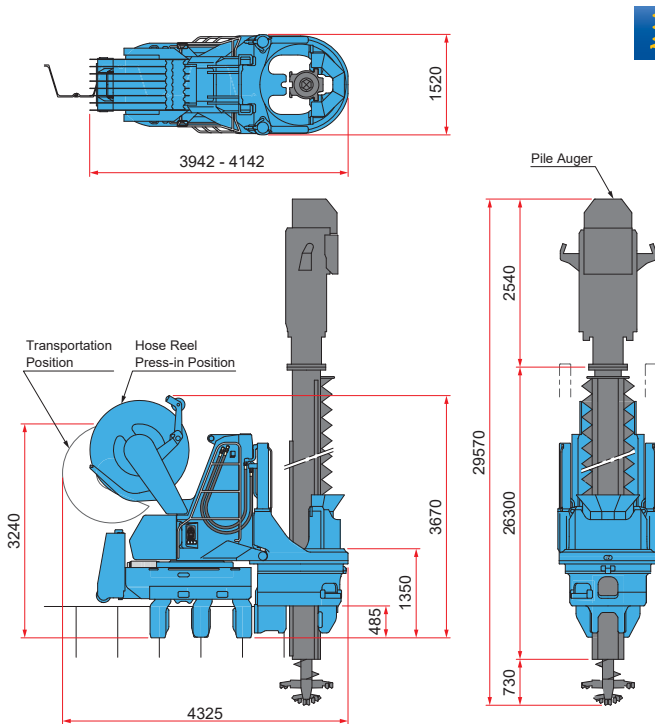


Standard Press-in Mode

SCZ-675SMG	Metric Unit	US Standard
Applicable Piles *	575 - 708 mm	22.64 - 27.87 in
Max. Press-in Force	1000 kN(102 tf)	112 tonf (US)
Max. Extraction Force	1100 kN (112 tf)	123.6 tonf (US)
Stroke	1200 mm	47.2 in
Pressing-in Speed	3.0 - 39.4 m/min	9.8 - 129.3 ft/min
Drawing-out Speed	1.0 - 29.8 m/min	3.3 - 97.8 ft/min
Power Unit Type	EU300C2	
Mass	Silent Piler	15,500 kg
	Press-in Attachment	400 kg
Total Machine Mass	15,900 kg	35,000 lb

* For detailed information, please consult your nearest Giken Office.

Super Crush Mode



Super Crush Mode *

SCZ-675SM	Metric Unit	US Standard
Max. Press-in Force	800 kN(81 tf)	89.9 tonf (US)
Max. Extraction Force	1100 kN (112 tf)	123.6 tonf (US)
Stroke	1200 mm	47.2 in
Pressing-in Speed	0.7 - 4.5 m/min	2.3 - 14.8 ft/min
Drawing-out Speed	1.0 - 4.1 m/min	3.3 - 13.5 ft/min
Power Unit Type	EU300C2	
Mass	Silent Piler	15,500 kg
	Hose Reel	2,300 kg

Hose Reel	Metric Unit	US Standard
Hose Length	30 m (Max. 40 m)	98.4 ft (Max. 131 ft)
Hose Reel Rewind	Max. 5.5 kN	Max. 0.6 tonf (US)

Pile Auger	Metric Unit	US Standard
Applicable Pile Length	Max. 21 m	Max. 69 ft
Max. Auger Torque	100 kN·m	73 800 ft·lb
Max. Rotation Speed	22 min ⁻¹	22 rpm
Weight	15 600 kg	34 400 lb

Total Machine Weight	Metric Unit	US Standard
Super Crush Mode	33 400 kg	73 600 lb

* For detailed information, please consult your nearest Giken Office.

Specifications are subject to alteration without prior notice.