

# ZERO JZ 100A

Zero Piler JZ100A

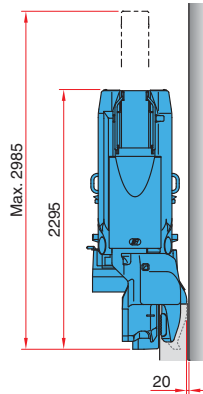
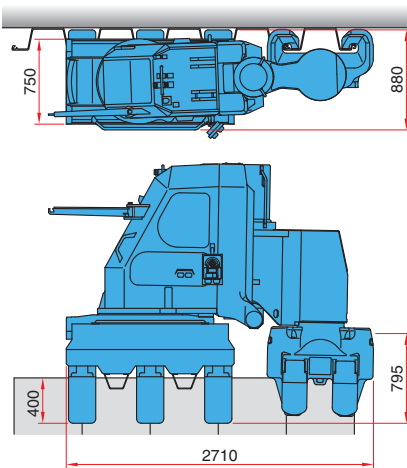


 **GIKEN**

## Standard Mode



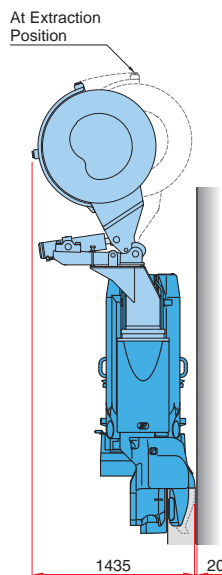
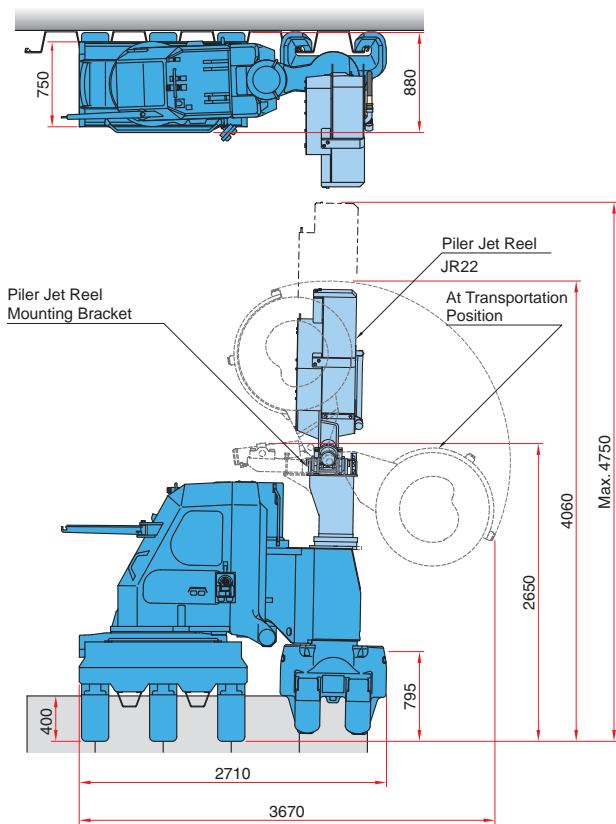
### Zero Piler JZ100A



## Water Jetting Mode



\*Piler Jet Reel is an optional item.



Zero Piler	JZ100A	
Applicable sheet piles	Zero Sheet Pile (NS-SP-J)	
Max. Press-in Force	980 kN (100 t)	
Max. Extraction Force	1080 kN (110 t)	
Stroke	700 mm	
Press-in Speed	2.0 ~ 32.3 m/min	
Extraction Speed	1.8 ~ 24.7 m/min	
Control System	Radio Control	
Movement	Self-Moving	
Mass	Standard Mode (Main Body)	7900 kg
	Water Jetting Mode (Main Body & Piler Jet Reel & Attachment)	8880 kg

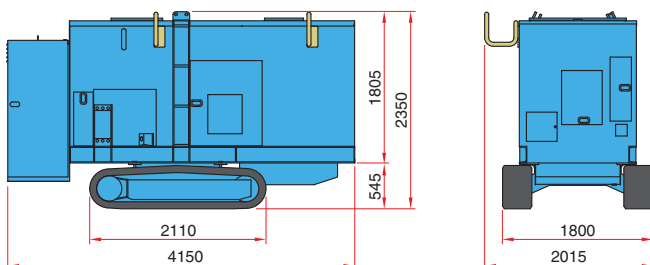
Piler Jet Reel	JR22
Applicable Pile Length	Standard 17 m (Max. 27 m)
Hose Length	Standard 22 m (Max. 32 m)
High Pressure Hose	Piler Eco Hose
Hose Extraction Method	Reel Winding Force (Max. 54 kN)
Water Flow	Max. 700 L/min
Water Pressure	Max. 15 MPa (153 kgf/cm <sup>2</sup> )
Nozzle Lock Method	Lock Pin (φ7 x 1)
Mass	780 kg

Piler Jet Reel Mounting Bracket	
Mass	200 kg

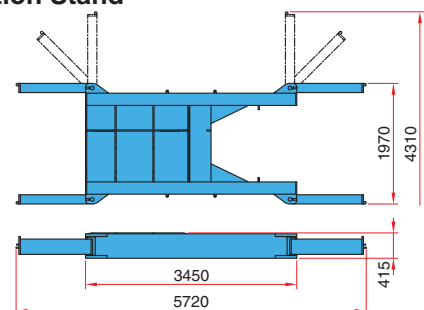
Power Unit	EU20013	
Power Source	Diesel Engine	
Rated Output	Power Mode	195 kW (265 ps) /1800 min <sup>-1</sup>
	Eco Mode	173 kW (235 ps) /1600 min <sup>-1</sup>
Fuel Tank Capacity	400 L	
Hydraulic Oil Tank Capacity	Piler ECO Oil 490 L	
Moving Speed	1.4 km/h	
Mass	6650 kg	

Reaction Stand	
Mass	1600 kg

### Power Unit



### Reaction Stand



**GIKEN** Construction Solutions Company

[www.giken.com](http://www.giken.com)

GIKEN LTD.  
International Business Department  
3948-1 Nunoshida, Kochi-shi, Kochi 781-5195, Japan  
Tel. : +81-(0)88-846-2980 Fax : +81-(0)88-826-5288  
Email : international@giken.com

Global Network : Japan, UK, Germany, USA, Singapore, China

For more contact information, please visit:  
<http://www.giken.com/en/contactus/groupcompanies>