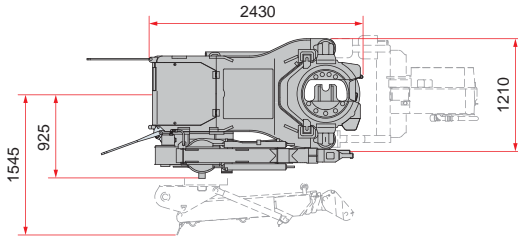


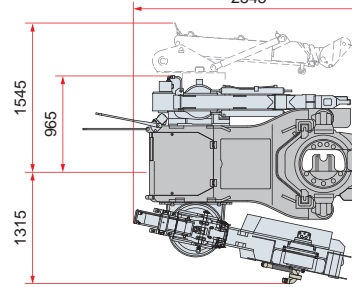
U Clear Piler (U Sheet Pile 400mm width) CL70A

At Attaching Jet Reel Forwards

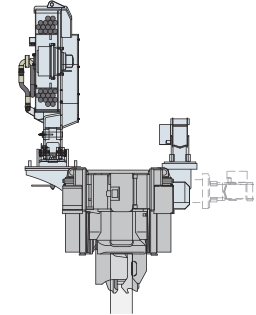
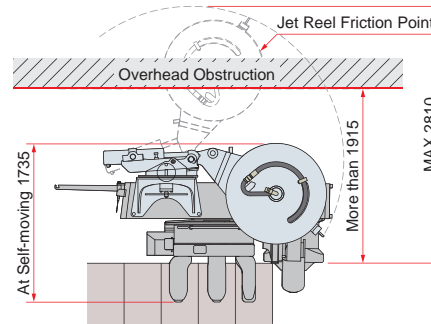
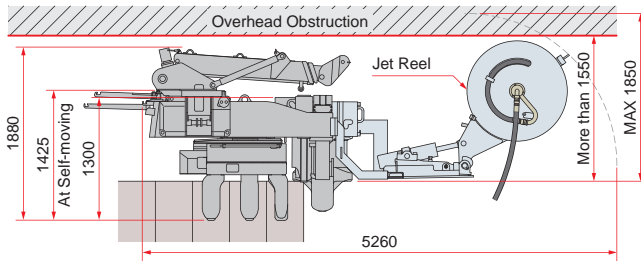
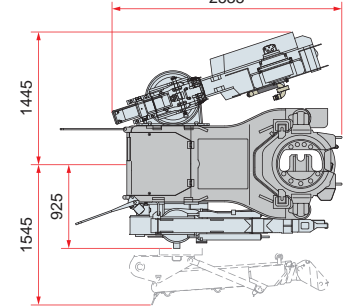


At Attaching Jet Reel Lateral

At Rightwards



At Leftwards



CL70A	Metric Unit
Applicable Piles	U Sheet Pile Type II-IV
Max. Press-in Force	690 kN
Max. Extraction Force	730 kN
Stroke	600 mm
Pressing-in Speed	3.1 - 13.4 m/min
Drawing-out Speed	2.4 - 13.3 m/min
Max. Lifting Capacity	700 kg
Power Unit Type	EU200H3 Crawler Unit
Machine Weight	5580 kg

*Excluding Jet Reel mass and Jet Reel Mounting Bracket mass