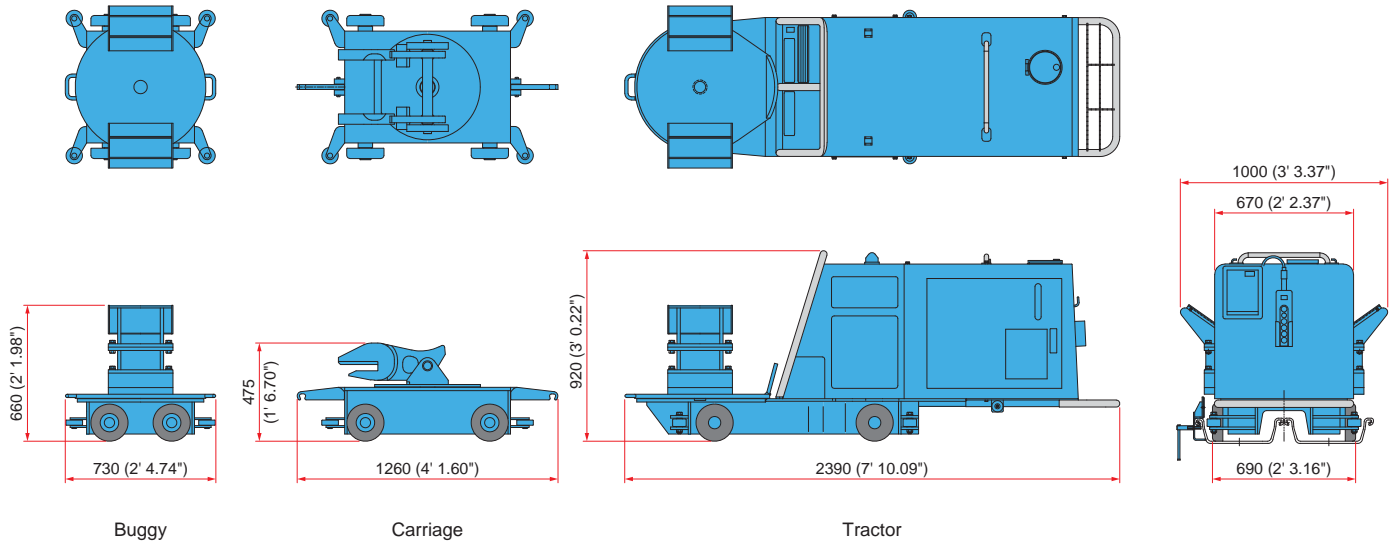


Pile Runner PR2



PR2	Metric Unit	US Standard
Transporting Piles	D711.2 - 1524 mm	D28.00 - 60.00 in
Trackway Piles	U Profile 400 mm	U Profile 15.74 in
Load Capacity	5000 kg	11023 lb
Travel Speed	30 - 60 m/min	98.42 - 196.85 ft/min
Power Source	Petrol Engine	
Rated Output	6.6 kW (9 PS)	8 HP
Mass	Tractor	940 kg / 2072 lb
	Carriage	305 kg / 672 lb
	Buggy	310 kg / 683 lb
Total Mass	1555 kg	3428 lb

Specifications are subject to alteration without prior notice.