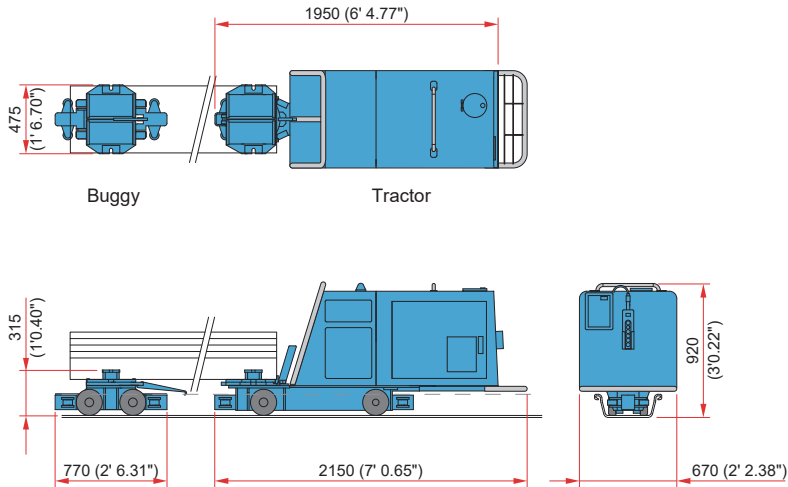


# PILE RUNNER™ PR1



PR1		Metric Unit	US Standard
Transporting Piles		U Sheet Pile 400P, 500P, 600P Hat Sheet Pile 900P	
Trackway Piles		U Sheet Pile Type II	
Load Capacity		5000 kg	11000 lb
Travel Speed		30 - 60 m/min	98.4 - 196.9 ft/min
Power Source		Petrol Engine	
Rated Output		6.6 kW (9 PS)	8.9 HP
Mass	Tractor	645 kg	1420 lb
	Buggy	140 kg	310 lb
Total Mass		785 kg	1730 lb

Specifications are subject to alteration without prior notice.