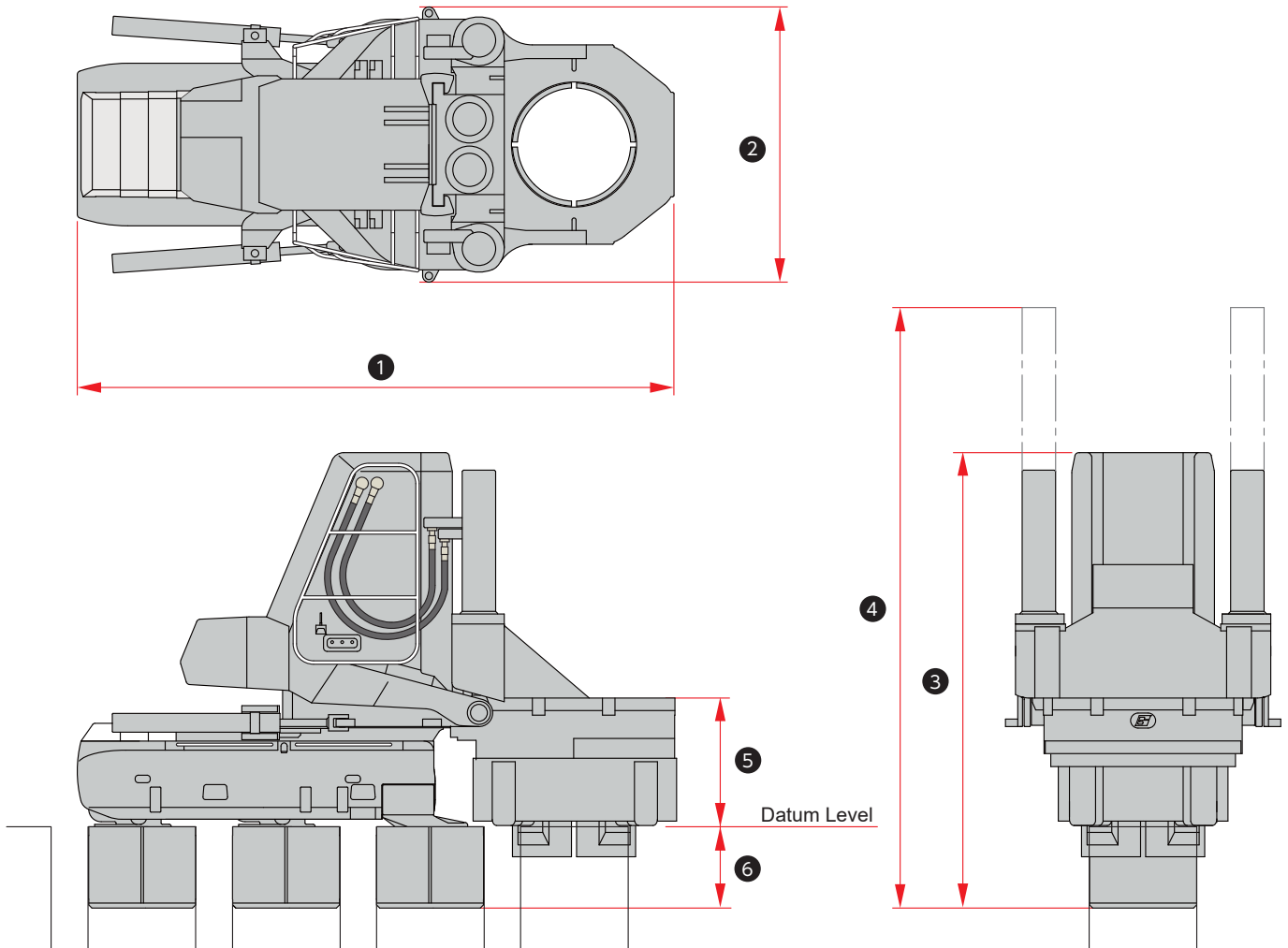


Gyro Piler: Dedicated Models for Vertical Press-in



Models	GRV0615 (SP3)	GRV0926 (SP4)	GRV1026 (SP7)	GRV1230 (SP12)
Press-in Force	1500 kN (153 ton)	2600 kN (265 ton)	2600 kN (265 ton)	3000 kN (306 ton)
Stroke	1200 mm	1250 mm	1300 mm	1300 mm
① Length	3530 mm - 3610 mm	4700 mm - 5060 mm	4900 mm - 5410 mm	5620 mm - 7360 mm
② Width	1640 mm	2200 mm	2055 mm	2130 mm
③ Height	3000 mm	3640 mm	3660 mm	4370 mm
④ Max. Height	4020 mm	4800 mm	4800 mm	5120 mm
⑤ Chuck Height	1180 mm	1030 mm	1180 mm	1940 mm
⑥ Clamp Depth	400 mm	650 mm	600 mm	800 mm
Power Unit	EU300C3	EU300F3	EU500A3	EU500A3
Mass	15,930 kg (D600)	29,650 kg (D800)	33,300 kg (D1000)	47,400 kg (D1200)
Applicable Pile	Tubular Pile D500, 600	Tubular Pile D800, 900	Tubular Pile D800 - 1000	Tubular Pile D1000, 1200