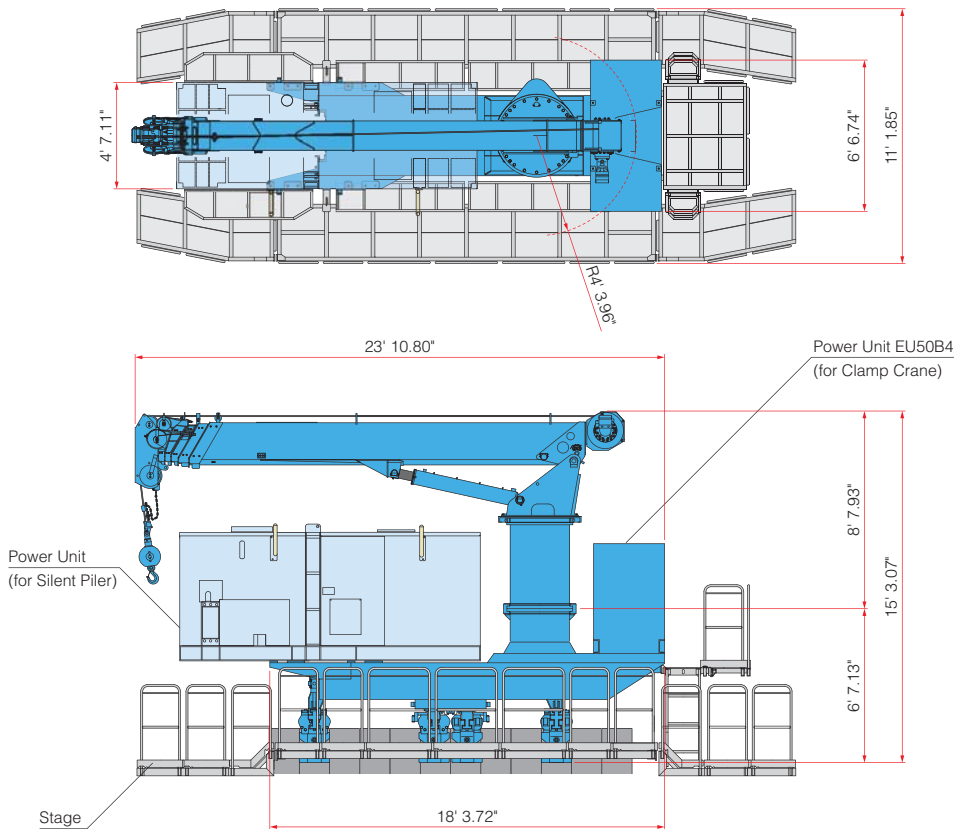


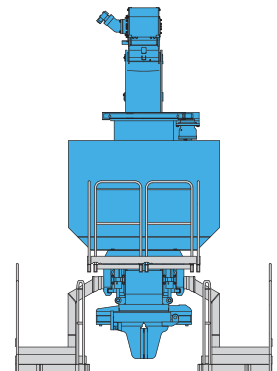
# CLAMP CRANE CB2-9

Clamp Crane for 15.74 in ~ 35.43 in Sheet Piles

- Can carry the Power Unit of Silent Piler.
- The best solution for sheet piling works under physical constrains such as on water, at narrow location and close to railway track.



**GRB system**



Clamp Crane CB2-9		
Specifications	Lifting Capacity	6503 lb × 26.24 ft (Single line)
	Max. Working Radius	78.74 ft
	Max. Lifting Height	Approx. 88.58 ft
	Slewing System	Auto-slew Lock System
Safety Devices	Auto Over-winding Protection Device (with Alarm call system) Overload Alarm Device Boom Height Limit System Slewing Limit System	
How To Operate	Radio Control / Cable Control	
Mass	35935 lb *Exclude Power Unit for Silent Piler.	
Applicable Sheet Piles	U Sheet Pile 15.74 to 23.62 in Hat Sheet Pile 35.43 (10H to 50H) Z Sheet Pile (Single) 22.63 to 27.87 in U Sheet Pile 23.62 to 29.52 in (PU, AU)	
Power Unit	EU50B4 (Equivalent to USA Tier 4 and EU Stage IIIB)	

● Maximum Lifting Pile Length

Applicable Piles			Pile Length (ft)
Sheet Pile	Width	Type	
U Sheet Pile	15.74 in	II	<b>72.17</b>
		III	
		IV	
	19.68 in	V <sub>L</sub>	<b>59.05</b>
		VI <sub>L</sub>	
		II <sub>w</sub>	
23.62 in	III <sub>w</sub>	<b>65.61</b>	
	IV <sub>w</sub>	<b>59.05</b>	
	Z Sheet Pile (Single)	27.55 in	AZ 20 700
AZ 28 700			<b>59.05</b>
AZ 40 700			<b>52.49</b>
AZ 52 700			<b>45.93</b>

The above specifications are subject to alternation without prior notice.

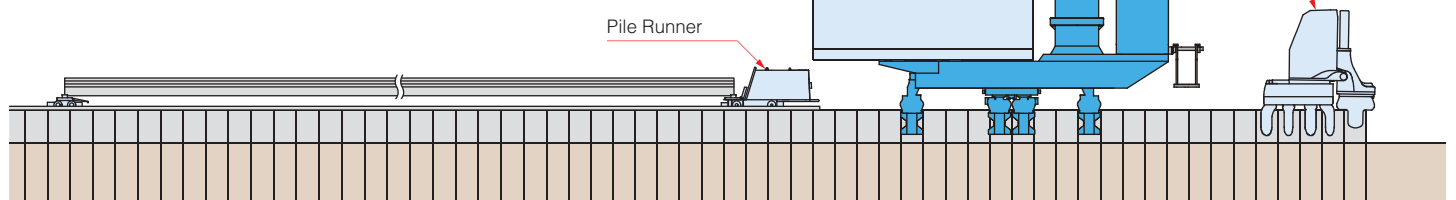
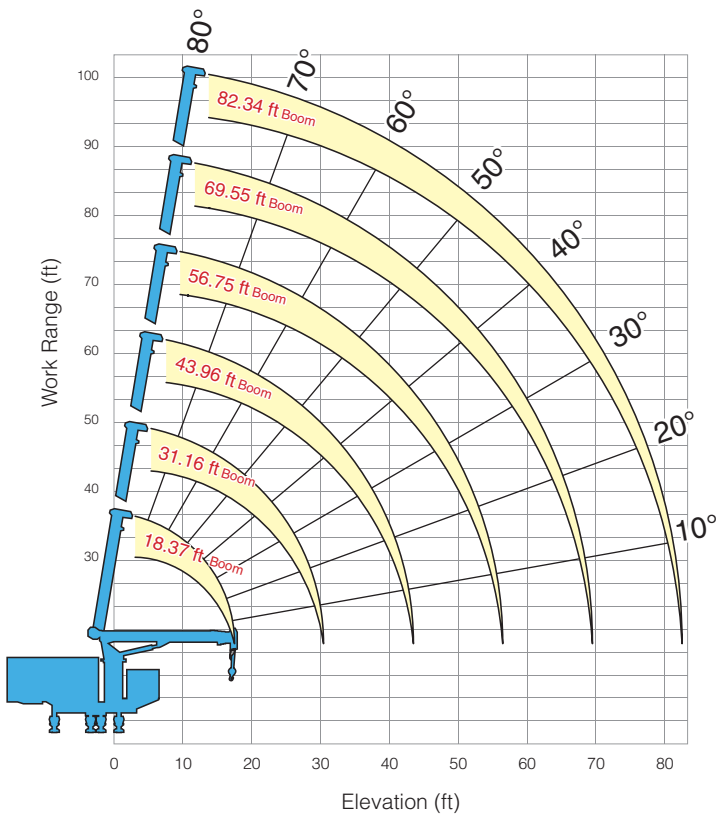
● Lifting Capacity

Unit: lb

● GRB System

Boom Radius (ft)	18.37	31.16	43.96	56.75	69.55	82.34
4.92	6503					
8.20	6503	6503				
9.84	6503	6503	6503			
11.48	6503	6503	6503			
13.12	6503	6503	6503	6503		
16.40		6503	6503	6503	6503	
19.68		6503	6503	6503	6503	3968
26.24		6503	6503	6503	5732	3968
32.80			5291	4850	4629	3968
39.37			3747	3747	3747	3306
45.93				3086	3086	2645
52.49				2204	2204	2204
59.05					1763	1763
65.61					1433	1433
72.17						1102
78.74						771

● Lifting Height



The above specifications are subject to alternation without prior notice.

\*Piler Stage is required for actual work.

**GIKEN** Construction Solutions Company

[www.giken.com](http://www.giken.com)

**GIKEN LTD.**

International Business Department  
 3948-1 Nunoshida, Kochi-shi, Kochi 781-5195, Japan  
 Tel. : +81-(0)88-846-2980 Fax : +81-(0)88-826-5288  
 Email : international@giken.com

Global Network : Japan, USA, UK, Germany, Singapore, China

For more contact information, please visit:  
<http://www.giken.com/en/contactus/groupcompanies>