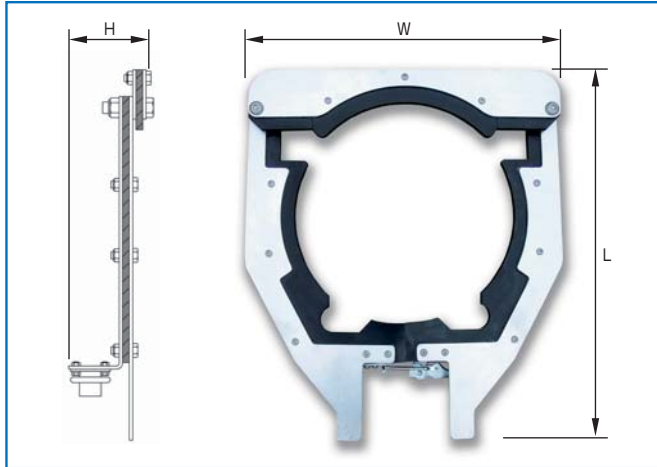
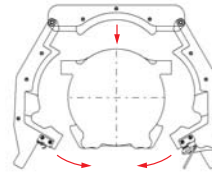


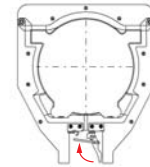
Casing Scraper



It can easily remove adhered soil on the Casing. It is no longer necessary to occupy 1 person for soil scraping work.

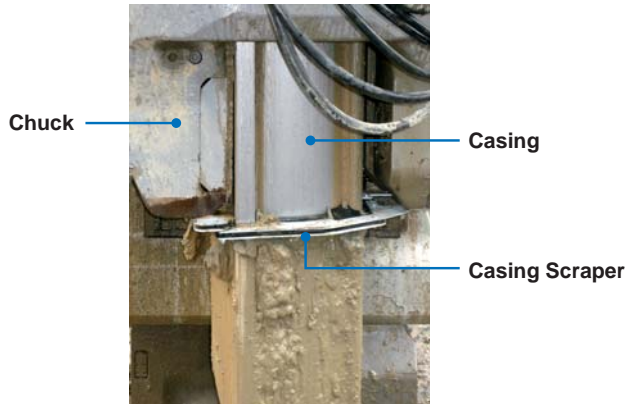


(1) Set the Casing Scraper on the Casing.



(2) Fix the Casing Scraper by the catch clip.

Removing the soil adhered to the Casing



● Specifications

SCU-400M/ ECO400S
(Casing Diameter D318.5mm)

Size : W450 x L525 x H120 mm
Mass : 5.5 kg

SCU-600M
(Casing Diameter D355.6mm)

Size : W480 x L565 x H120 mm
Mass : 7.0 kg