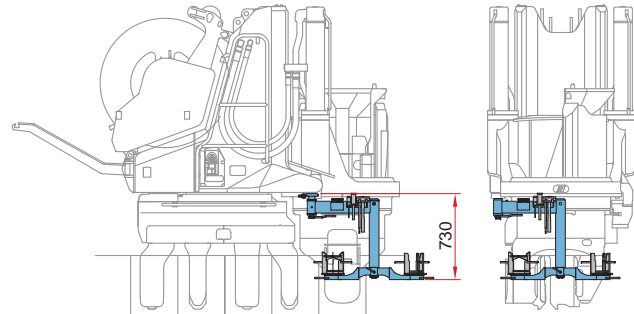
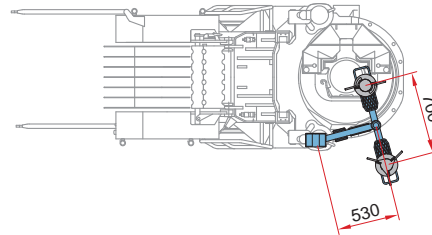
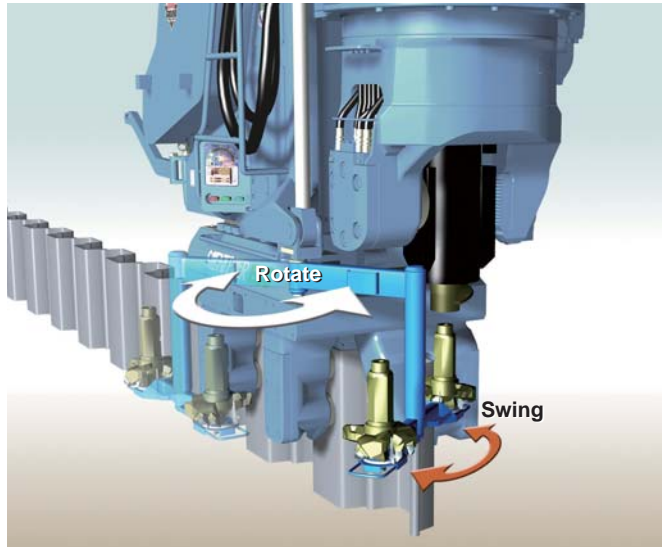


Auger Head Replacing Attachment

Type of auger head is selected in accordance with ground condition. This compact auger head replacing attachment makes replacement work much faster and safer.



● Specifications

for SCU-400M/ ECO400S

Mass : 40 kg

for SCU-600M

Mass : 41 kg