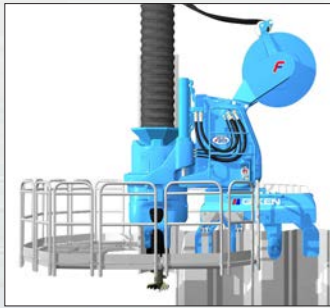


**Standard Accessories**

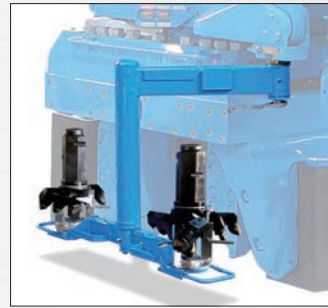
\* Available for Super Crush Mode only.



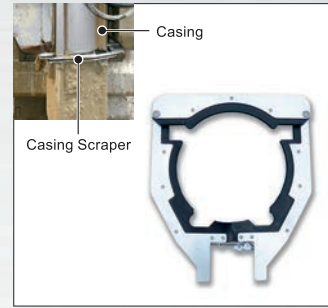
PILER STAGE™



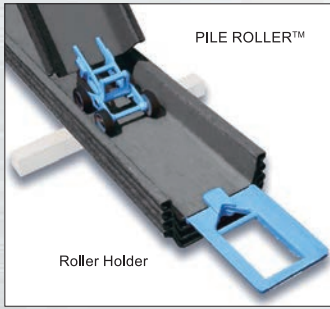
Chuck Stage \*



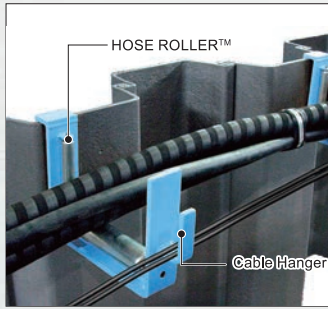
Auger Head Replacement Attachment \*



Casing Scraper \*



PILE ROLLER™



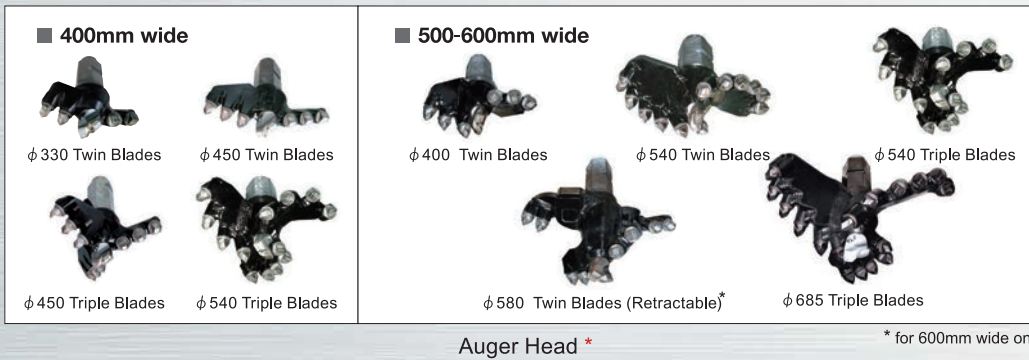
HOSE ROLLER™



PILE LASER™



Module Box



■ **Optional Accessories**



PILER JET REEL™ (JR28)



**GIKEN**

**SILENT PILER™**  
**F201**  
 for U Sheet Piles  
 400-600mm wide

**GIKEN**

Construction Solutions Company

[www.giken.com](http://www.giken.com)

CONTACT US



"SILENT PILER" is a registered trademark or trademark of GIKEN LTD. in the United States and other countries.

© 2014 GIKEN LTD. All Rights Reserved.

T4\_Ver 3.1EN01 / 05 Jan 2024

Modular model applicable to U Sheet Piles (400-600mm wide)

# SILENT PILER™ F201

SILENT PILER™ F201

## Flexible and Functional Formula

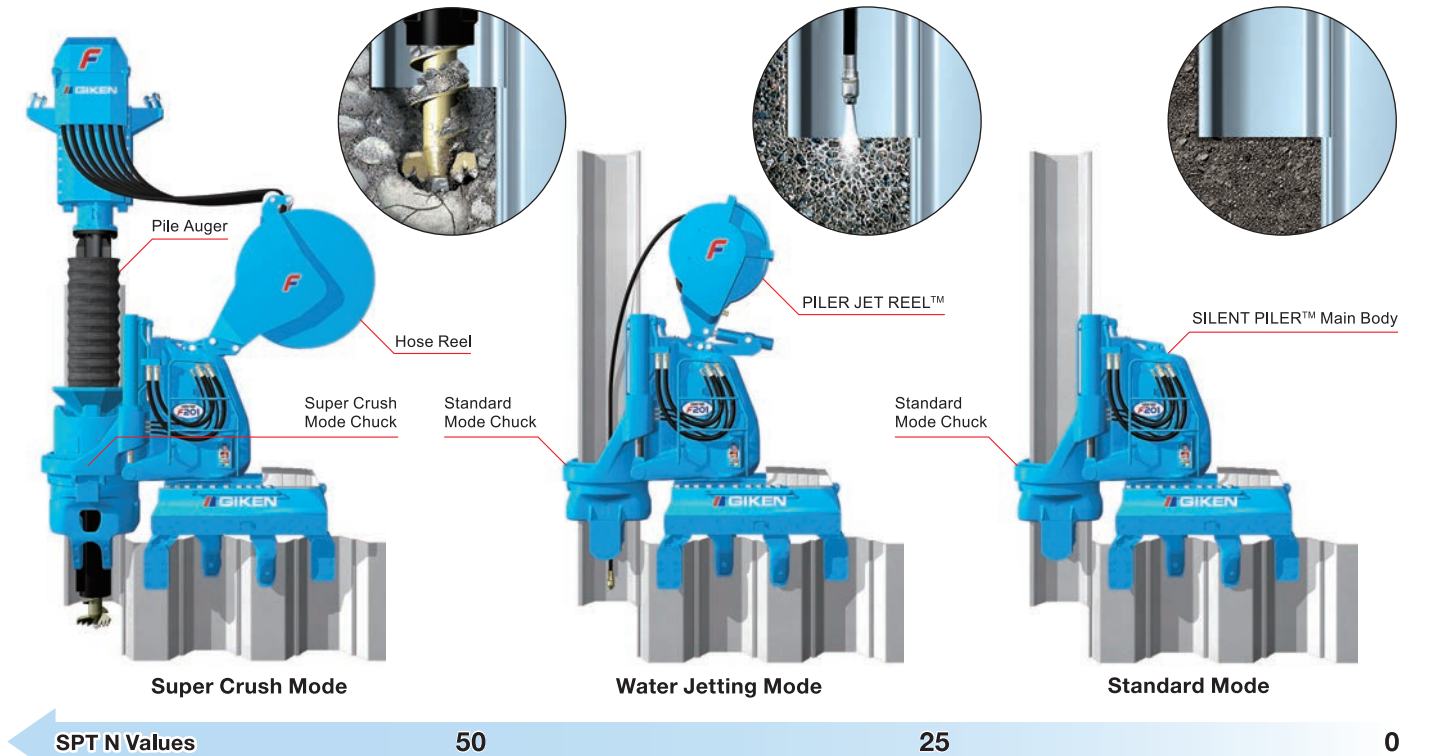
The F201 features a new modular design developed by optimising all the parts and drastically modifying the structure, shape, and material. Not only are the main component parts more versatile, it is also equipped with a cutting-edge control system, and realising high functionality and longer operation life.

\*SILENT PILER™ is a registered trademark or trademark of GIKEN LTD. in the United States and other countries.



## 1 Applicable to 400-600mm wide U Sheet Pile and soft to hard ground conditions

F201 has wider adoptability and is applicable to Standard Mode, Water Jetting Mode, and Super Crush Mode and 400mm, 500mm and 600mm wide U sheet pile by changing the chuck and chuck frame, and equipping suitable attachments.



## 2 Longer Operational Life and Higher Functionality by New Control System

The new control system manages the position of the press-in machine and controls load generation from press-in work during operation, maximising the durability of each part. Also, control of the machine is remarkably improved by the Press-in Force Control System and the Phaseless Linear Auger Torque Control System.



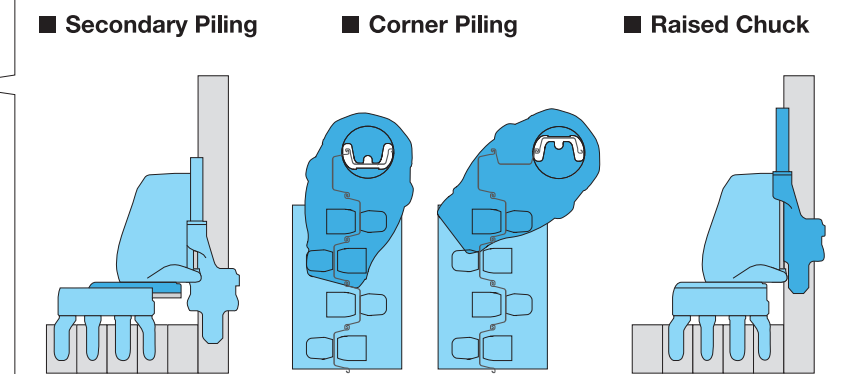
Penetration modes corresponding to the Chuck is automatically detected.

Position of the Press-in Machine is automatically detected

Up/Down Stroke Force is optimised.

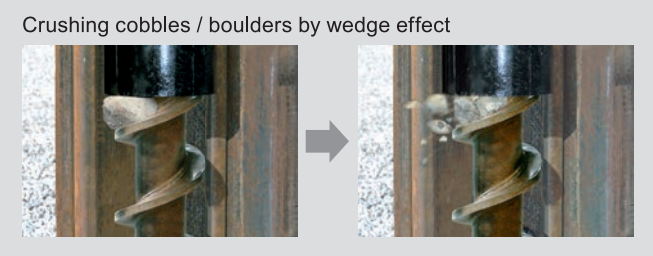
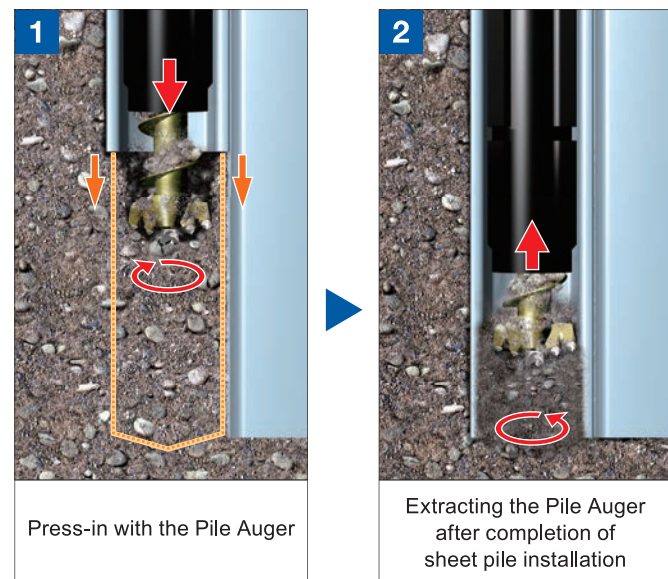
Maximum Up/Down Stroke Force is regulated.

Load applied to SILENT PILER™ can be reduced.



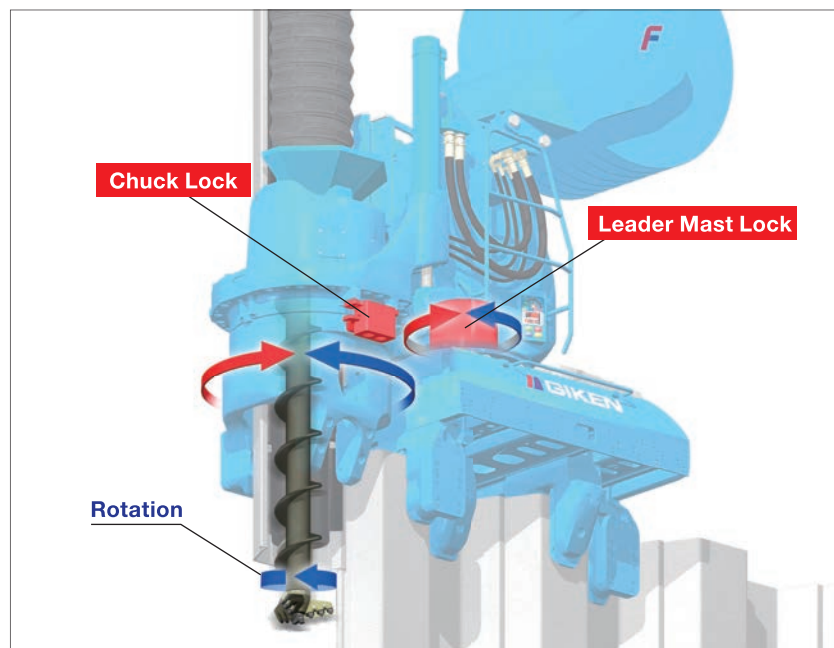
### 3 Pile Installation into Hard Ground

The "Pilot Coring Theory", GIKEN original theory, makes the Hard Ground Press-in Method able to install sheet piles into difficult ground conditions such as gravelly soil and cobble or boulder mixed soil without losing the advantages of the Press-in Method. The augering area can be reduced to assist pile installation, minimising volume of spoil and disturbance to the soil strata. Hence, high bearing capacity is available from sheet piles which are installed by the Hard Ground Press-in Method.



### Locking Function

Lock functions in the leader mast, chuck and clamps secure SILENT PILER™ against drilling torque and increase drilling efficiency and accuracy of pile installation.



### 4 New Generation Power Unit EU300K4

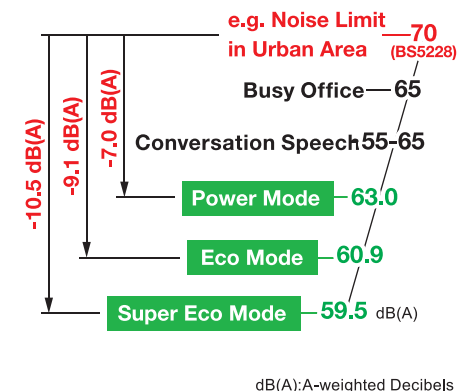
#### Low Emission Engine

The Power Unit of the F201 is a new generation model and has environmentally-friendly specifications. It is designed with strict concepts for clean emissions with high combustion efficiency and GIKEN original hydraulic control technologies.



#### Ultra Low Noise Level

It clears allowable construction noise levels in many industrialised countries.



#### Standard Application of Biodegradable Oil

The F201 uses bio-degradable PILER ECO™ OIL and PILER ECO Grease. Hence, if hydraulic oil or grease is spilled into soil or water, there will be no environmental damage to the surrounding ecosystem. In addition, the machines are painted with TX-Free non-lead paint\*.

\* Environmentally-friendly paint which does not contain toluene, xylene and lead based pigment.



### 5 Scientific Execution of Press-in Work & Advanced IT Functions

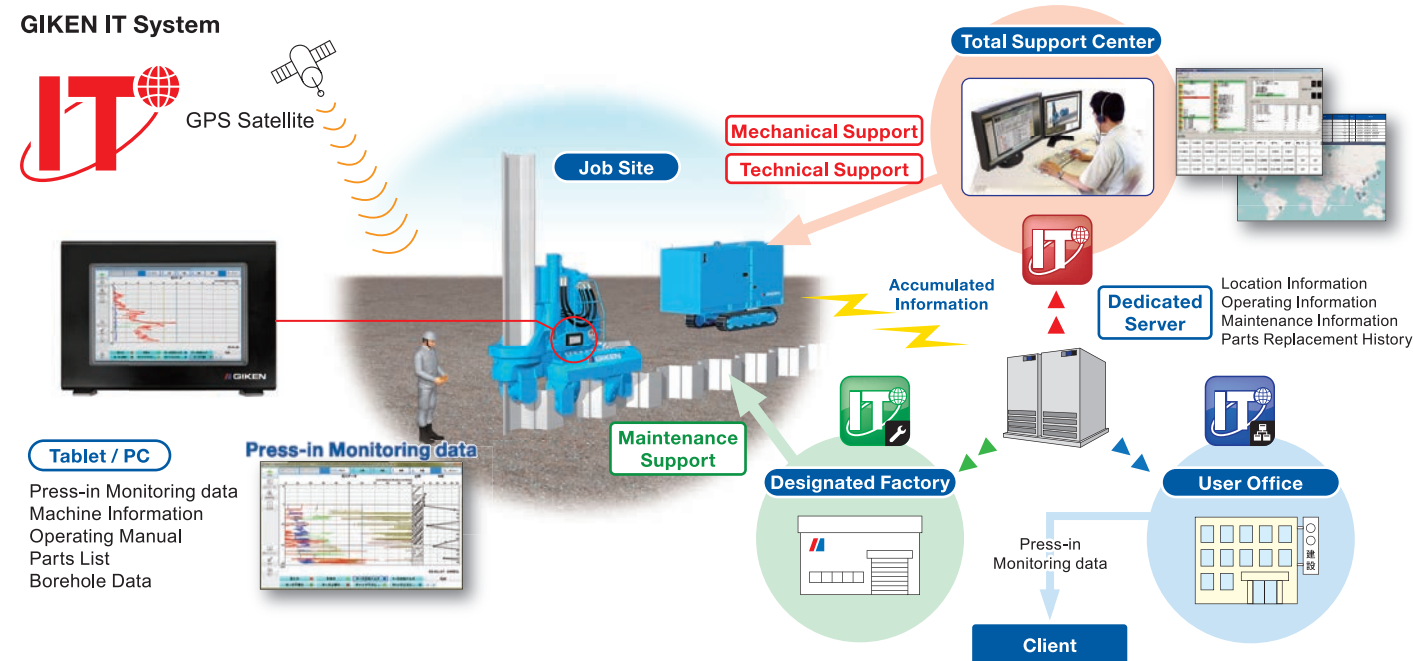
#### GIKEN IT System

GIKEN engineers can monitor individual SILENT PILER, such as operating condition, maintenance records and location. Quick advice for any technical troubles is available promptly and appropriate information can also be provided to prevent troubles.

\* The system is not available in the countries where authorisation for usage cannot be acquired.

#### Press-in Monitoring and Data Logging System

Press-in monitoring data can be used for quality control and information modelling of the foundation. Operators are able to keep working while checking data such as press-in force, auger torque, and working hours of press-in work, on a tablet or PC (both optional extras).



# Dimensions & Specifications

	400mm wide	500mm wide	600mm wide
<b>Super Crush Mode</b>	<b>F201-C400</b> <p>for 400mm wide Super Crush Mode Chuck</p> <p>1200</p> <p>1265</p> <p>1450</p> <p>Auger Motor</p> <p>for 400mm wide Casing Auger</p> <p>Hose Reel</p> <p>At Transportation</p> <p>2000</p> <p>1295</p> <p>At Transportation 2835</p> <p>MAX 4140</p> <p>32500(For sheet pile length 24m)</p> <p>3350</p> <p>At Transportation 3675</p> <p>470</p>	<b>F201-C500</b> <p>for 500-600mm wide Super Crush Mode Chuck</p> <p>1200</p> <p>1265</p> <p>1450</p> <p>Auger Motor</p> <p>for 500,600mm wide Casing Auger</p> <p>Hose Reel</p> <p>At Transportation</p> <p>2000</p> <p>1295</p> <p>At Transportation 2835</p> <p>MAX 4140</p> <p>32500(For sheet pile length 24m)</p> <p>3510</p> <p>At Transportation 3835</p> <p>470</p>	<b>F201-C600</b> <p>for 500-600mm wide Super Crush Mode Chuck</p> <p>1200</p> <p>1265</p> <p>1450</p> <p>Auger Motor</p> <p>for 500,600mm wide Casing Auger</p> <p>Hose Reel</p> <p>At Transportation</p> <p>2000</p> <p>1295</p> <p>At Transportation 2835</p> <p>MAX 4140</p> <p>32500(For sheet pile length 24m)</p> <p>3510</p> <p>At Transportation 3835</p> <p>470</p>

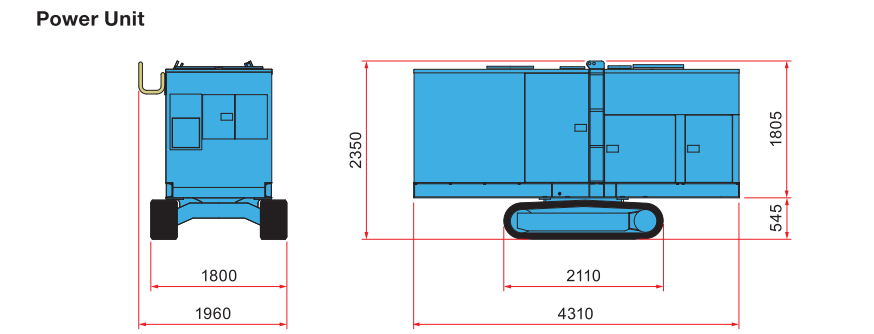
	400mm wide	500mm wide	600mm wide
<b>Water Jetting Mode</b>	<b>F201-400</b> <p>PILER JET REEL™ JR28</p> <p>At Extraction</p> <p>At Transportation</p> <p>2650</p> <p>MAX 4180</p> <p>2590</p> <p>At Transportation 3000</p>	<b>F201-500</b> <p>2650</p> <p>MAX 4180</p> <p>2785</p> <p>At Transportation 2985</p>	<b>F201-600</b> <p>2650</p> <p>MAX 4180</p> <p>2970</p> <p>At Transportation 3170</p>

	400mm wide	500mm wide	600mm wide
<b>Standard Mode</b>	<b>F201-400</b> <p>for 400 mm wide Standard Mode Chuck</p> <p>2650</p> <p>MAX 3500</p> <p>1095</p> <p>2590</p>	<b>F201-500</b> <p>for 500-600 mm wide Standard Mode Chuck</p> <p>2650</p> <p>MAX 3500</p> <p>1095</p> <p>2785</p>	<b>F201-600</b> <p>for 500-600 mm wide Standard Mode Chuck</p> <p>2650</p> <p>MAX 3500</p> <p>1095</p> <p>2970</p>

### F201 Specifications

- Super Crush Mode**
  - Max. Press-in Force: 800 kN
  - Max. Extraction Force: 900 kN
  - Stroke: 850 mm
  - Press-in Speed: 0.5 ~ 4.5 m/min
  - Extraction Speed: 1.1 ~ 9.4 m/min
  - Control System: Radio Control
  - Mass (Main Body & Hose Reel):
    - for 400mm wide sheet pile: 13160 kg
    - for 500, 600mm wide sheet pile: 13660 kg
- Hose Reel: HR17C**
  - Mass(Standard): 2810 kg (including Hose Reel Bracket)
- Pile Auger: PA22**
  - Applicable pile length (Standard): Max 24 m\*
  - Auger Motor: 1850 kg
  - Mass Casing Auger:
    - for 400mm wide sheet pile: 9050 kg
    - for 500, 600mm wide sheet pile: 10050 kg
  - Total Mass:
    - for 400mm wide sheet pile: 10900 kg
    - for 500, 600mm wide sheet pile: 11900 kg

\*Max 30m in special mode



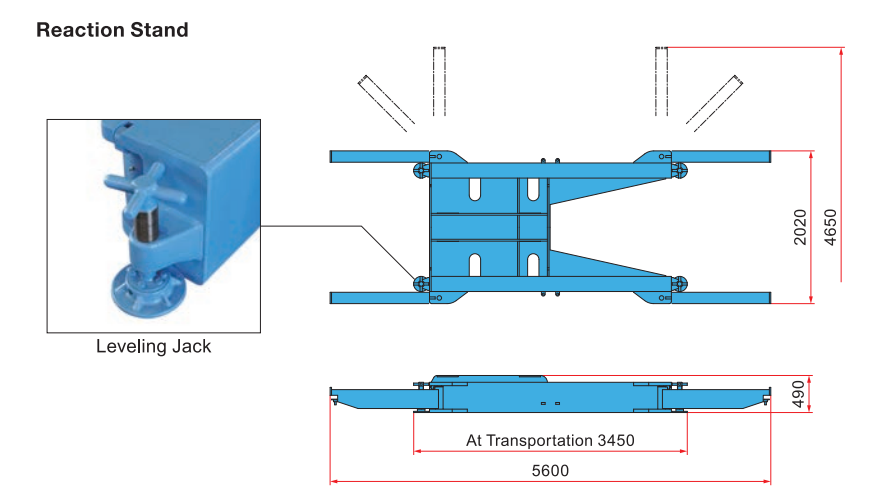
### Power Unit EU300K4

Power Source	Diesel Engine
Power Mode	265 kW (360 ps) / 1800 min <sup>-1</sup>
Rated Output	Eco Mode: 236 kW (321 ps) / 1600 min <sup>-1</sup>
	Super Eco Mode: 206 kW (280 ps) / 1400 min <sup>-1</sup>
Fuel Tank Capacity	600 L
Hydraulic Reservoir	PILER ECO™ Oil 630 L
Urea Additive Tank Capacity	38 L
Moving Speed	1.4 km/h
Mass	7250 kg (with 20m Hose)

### Water Jetting Mode

- Max. Press-in Force: 1500 kN
- Max. Extraction Force: 1600 kN
- Stroke: 850 mm
- Press-in Speed: 1.4 ~ 30.0 m/min
- Extraction Speed: 1.1 ~ 23.2 m/min
- Control System: Radio Control
- Mass (Main Body & PILER JET REEL):
  - for 400mm wide sheet pile: 10820 kg
  - for 500, 600mm wide sheet pile: 11120 kg
- PILER JET REEL™ JR28**
  - Applicable pile length: Standard 17.0 m (Max. 27.0 m)
  - Mass: 820 kg

PILER JET REEL is an optional item



### Reaction Stand (with Leveling Jack)

Mass	1900 kg
------	---------

### Chuck Mass

Sheet Pile Width	Standard Mode Chuck	Super Crush Mode Chuck
500, 600 mm	2850 kg	3400 kg
400 mm	2550 kg	2900 kg

The above specifications are subject to alteration without prior notice.