

SILENT PILER™

Low-headroom Press-in Machine

CLP200A

Overhead Clearance Method
For Tubular Sheet Pile 800 ~ 1000 mm



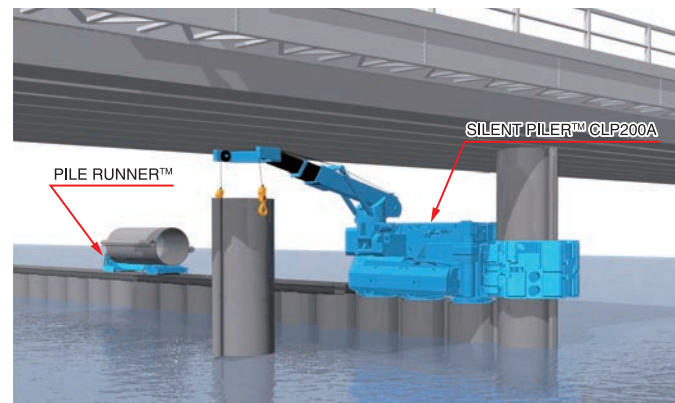
 **GIKEN**

CLP200A

SILENT PILER™ Press-in machine dedicated for sites where overhead clearance is limited

SILENT PILER CLP200A for tubular sheet piles is a low-headroom press-in machine designed for installing tubular sheet piles in areas with limited overhead clearance, such as under bridges and high-voltage power lines, where it has been difficult to work using traditional press-in machines.

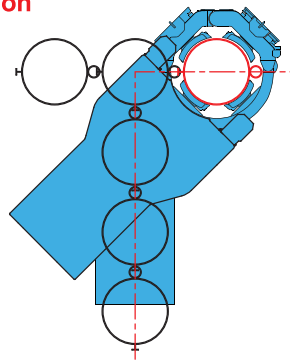
The front-opening mechanism of the chuck and Y-boom of the pitching equipment allows the maximum length of piles to be pitched based on each on-site condition. It also makes on-site work more efficient and labour-saving with various automation technologies and its capability to perform corner installation.



■ Allowing Corner Installation to be Performed

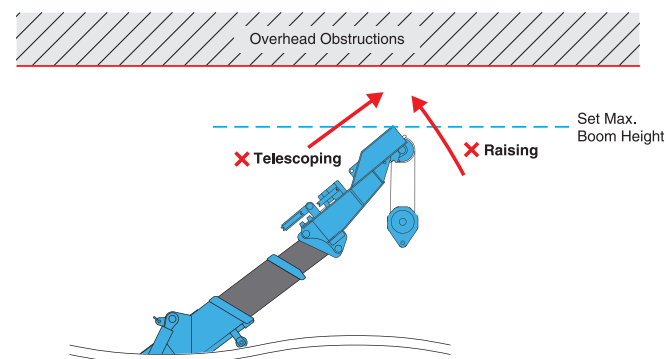
The rotating mechanism of the chuck has been changed so that it can rotate by 45 degrees, allowing this machine to perform corner installation, which has not been possible with conventional machines.

Corner Installation



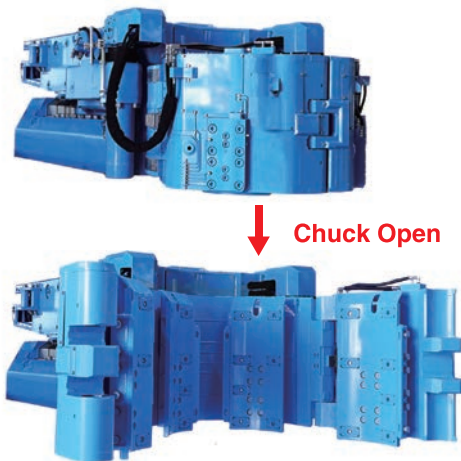
■ Automatic Boom Stop Function with Height Adjustability

When the top of the boom reaches the set height, an alarm buzzer sounds and the lifting device automatically stops to ensure work safety.

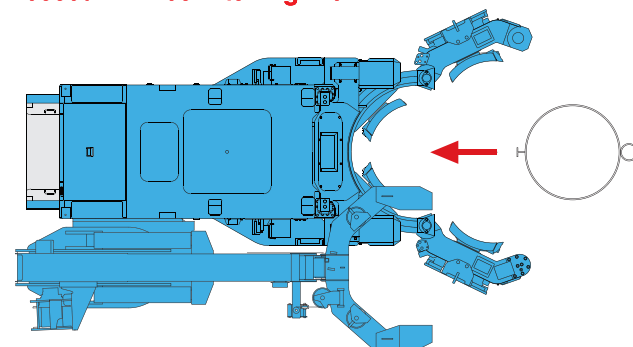


■ Chuck Front-opening Mechanism

The front part of the chuck opens to allow the maximum length of tubular sheet piles to be pitched based on each on-site condition. In addition, each operation: "inserting/removing a lock pin" or "opening/closing the chuck," can be easily performed with a single button, further improving workability.



Pressed-in Piles Pitching Work



■ Home Position Return Function

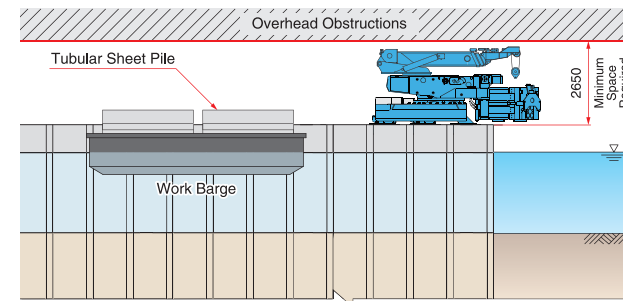
One-touch operation to return the machine to its basic position (home position) when partitioning it into three portions reduces the workload for the operator.

■ Clamp Position Automatic Adjustment Function

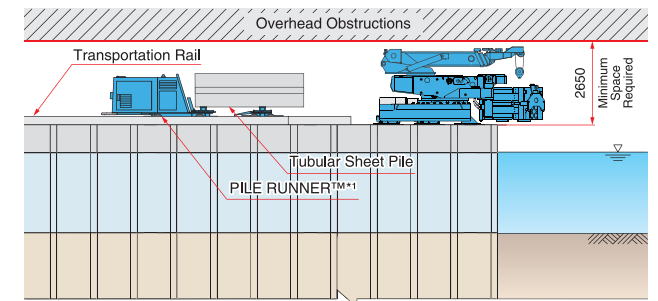
By setting the pile diameter and pitch between piles in advance depending on the on-site conditions, the clamp position can be adjusted forwards/backwards automatically with stroke sensors installed in the front/back/right/left of the clamp.

Standard Machine Layout

When using a work barge



When using PILE RUNNER™*1 *1 PILE RUNNER is not included in this product.

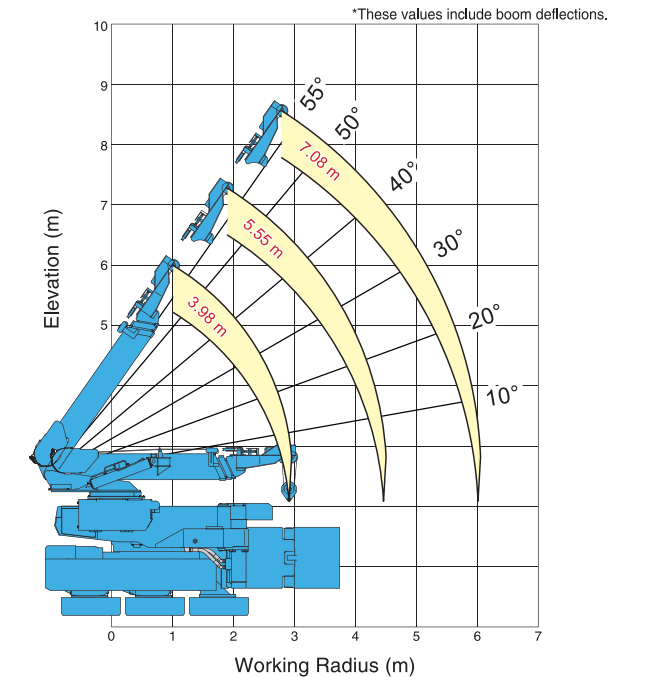


● Lifting Capacities

Boom Radius (m)	3.98	5.55	7.08
1.0	2.9 t	2.9 t	2.9 t
2.0			
2.5			
2.9			
3.0		2.9 t	
3.5			2.6 t
4.0			2.3 t
4.5			2.0 t
5.0			1.8 t
5.5			1.6 t
6.0			1.5 t

*These values include boom deflections.

● Lifting Heights & Working Radius



*These values include boom deflections.

Low Emission Engine

A new generation of eco-friendly engines with Urea-SCR system ensures a high level of environmental friendliness.



Ultra Low Noise Level

It stays below the allowable construction noise levels in many industrialised countries.



Standard Application of Biodegradable Oil

If biodegradable oil happens to be spilled into soil or water, it does not harm the surrounding ecosystem.



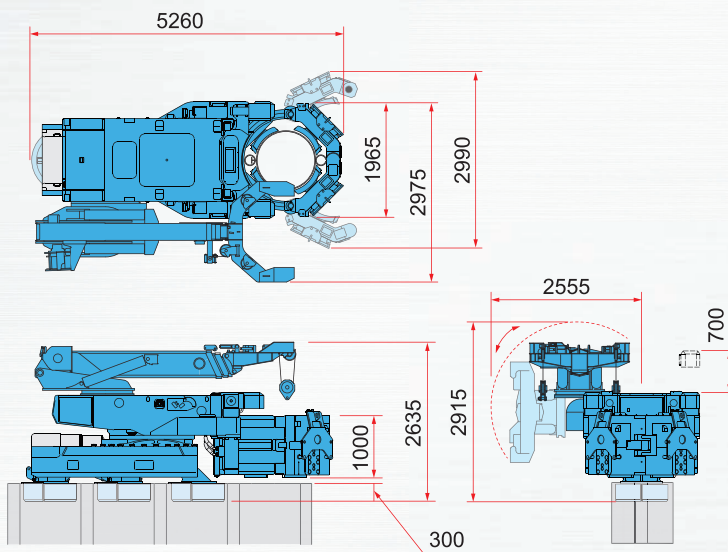
New GIKEN IT System

The server automatically stores data on the operations and maintenance of press-in machines. This information can be analysed and used to provide effective support in different ways.

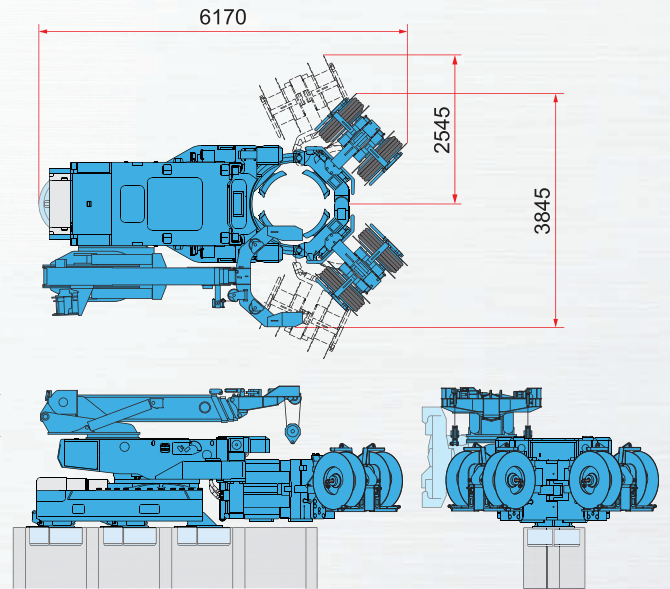


Dimensions & Specifications

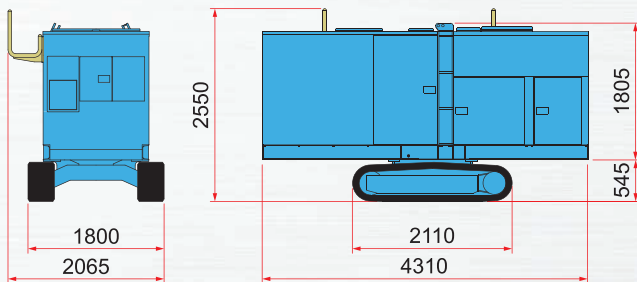
Standard Mode



Water Jetting Mode



Power Unit



Press-in Machine Main Body

Press-in Machine Main Body		CLP200A
Applicable Piles	Tubular Sheet Pile 800 - 1000mm (PP, PT, LT)	
Max. Press-in Force	2000 kN	
Max. Extraction Force	2200 kN	
Stroke	700 mm	
Press-in Speed	2.2 ~ 20.2 m/min	
Extraction Speed	1.6 ~ 14.3 m/min	
Control System	Radio Control	
Crane Lifting Capacity	2.95 ton x 4.5 m	
Crane Boom Length	3.98 ~ 7.08 m (three telescoping)	
Crane Control System	Radio Control	
Mass	for 800 m	22800 kg
	for 900 m	23200 kg
	for 1000 m	23350 kg
Crane Mass	2800 kg	

Power Unit

Power Unit		EU300K4
Power Source	Diesel Engine	
Rated Output	Power Mode	265 kW (360 ps) /1800 min ⁻¹
	Eco Mode	236 kW (321 ps) /1600 min ⁻¹
	Super Eco Mode	206 kW (280 ps) /1400 min ⁻¹
Fuel Tank Capacity	600 L	
Hydraulic Reservoir	630 L (PILER ECO OIL)	
AdBlue™/DEF Tank Capacity	38 L	
Moving Speed	1.4 km/h	
Total Mass	7550 kg (with standard 30 m hoses)	

PILER JET REEL™

PILER JET REEL™		JR34
Applicable Piles	35 m as standard	
Mass	590 kg	
Total Mass	1355 kg (2 JET REEL™ and bracket)	

*The above specifications are subject to alternation without prior notice.



Construction Solutions Company

www.giken.com

CONTACT US



"SILENT PILER" is a registered trademark or trademark of GIKEN LTD. in the United States and other countries.

© 2024 GIKEN LTD. All Rights Reserved.

Ver 1.0EN01 / 04 Oct 2024