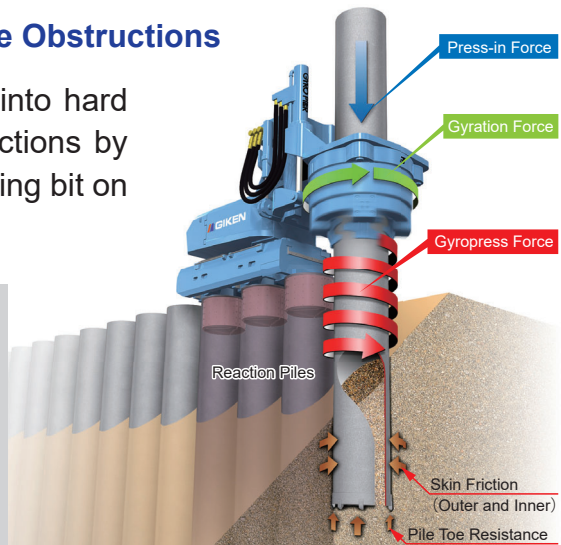


# Gyropress Method™



## ■ Penetrating through Hard Ground and Concrete Obstructions

Gyropress Method enables tube piles to penetrate into hard ground and to core through buried concrete obstructions by using a rotary jacking-in methodology with a cutting ring bit on pile toe.



## ■ Penetrating through a reinforced concrete structure



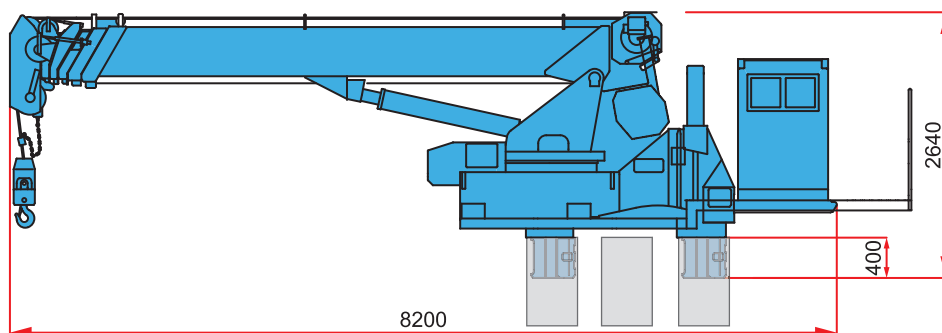
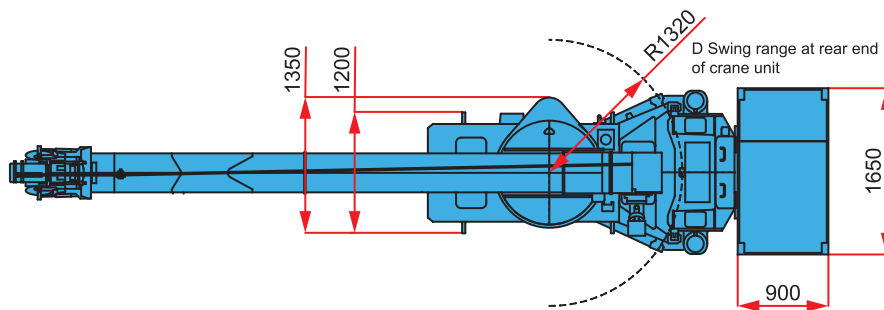
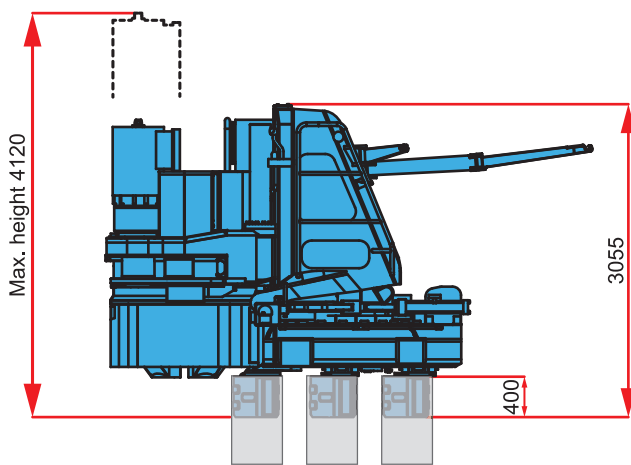
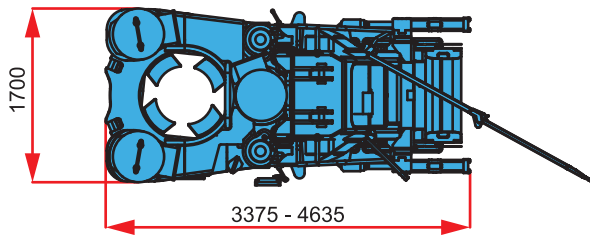
## ■ Realising "Temporary Work Less" Construction (GRB™ System)

These machines are small and lightweight. Since they can work and travel on top of installed piles, their working range can be reduced to just their machine widths and they can perform efficiently on water, on slope or in low headroom.



# GYRO PILER™ GRV0611e

GYRO PILER "GRV0611e" is an electric rotary cutting press-in machine that makes CO<sub>2</sub> zero emission installation possible. By supplying electric power directly from a power transmission line, power generator is not required. It means you can achieve completely zero emission piling work at site.



## GYRO PILER GRV0611e

Applicable Pile	Tubular Pile D500,D600 mm
Max. Press-in Force	1100 kN
Max. Extraction Force	1200 kN
Max. Chuck Rev. Torque	320 kN·m
Max. Chuck Rev. Speed	23.0 min <sup>-1</sup>
Chuck Up/Down Stroke	1200 mm
Press-in Speed	0.5 - 6.4 m/min
Extraction Speed	0.5 - 4.8 m/min
Mass	20500 kg (D500 mm)

## Generator (Recommended model: Denyo/DCA-610-SPM)

Voltage	Three-phase AC 440 V (50/60 Hz)
Capacity	610 kVA

## CLAMP CRANE™ CB2-11

Crane capacity	2.95 ton × 8.0 m (1 part of line)
Max. working radius	24.0 m
Max. lifting height	26.0 m
Control System	Radio Control
Mass	10100 kg
Applicable Pile	Tubular Pile D500,D600 mm Tubular Sheet Pile D500,D600 mm (LT,PT,PP)
Power Unit	MU37B

**GIKEN**

Construction Solutions Company

CONTACT US

[www.giken.com](http://www.giken.com)

