

CRUSH PIER

# SUPER CRUSH U600M

The Silent Piler for Hard Ground  
**SUPER CRUSH SCU-600M**

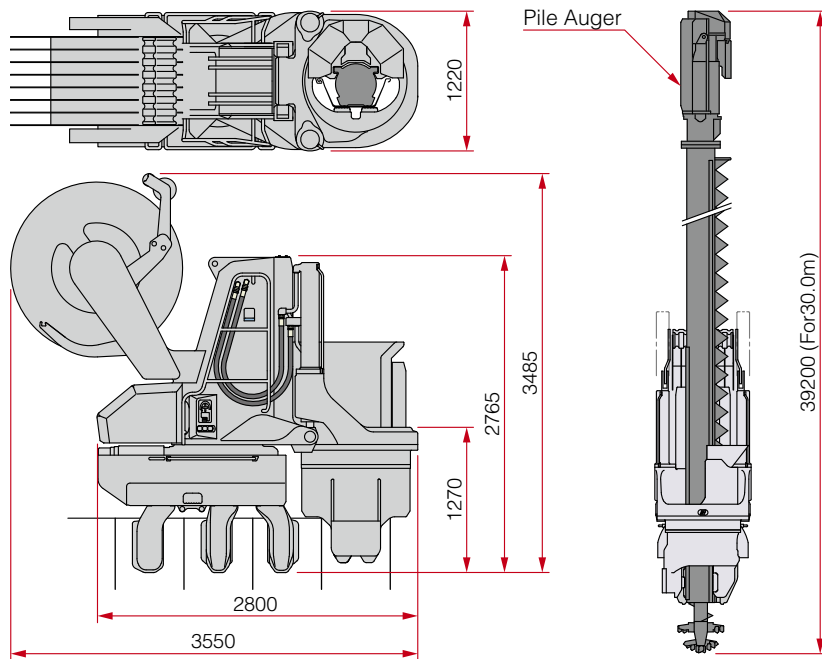
Registered in **NETIS** (New Technology Information Service System, Japanese MLIT)

Registration number : **CB-980118-V**

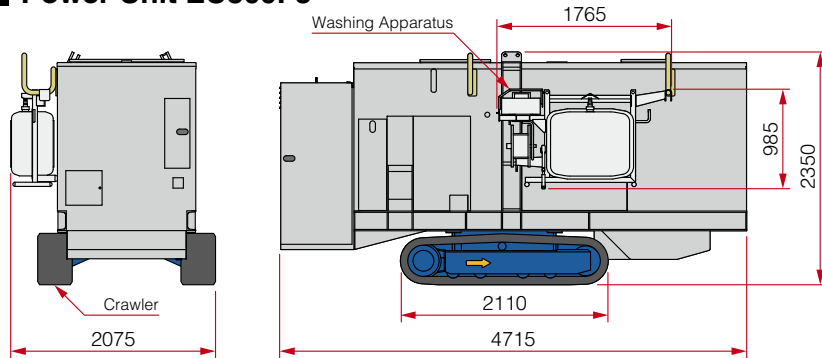


**GIKEN**

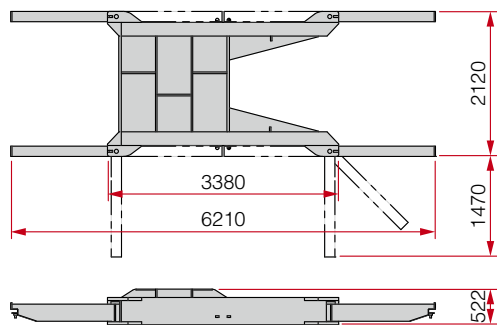
## CRUSH PILER SCU-600M



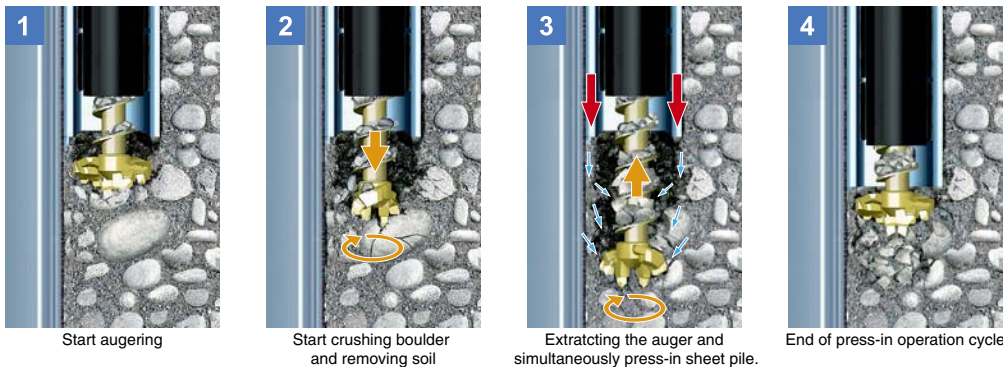
## Power Unit EU300F3



## Reaction Stand



## Press-in into boulder layers and cobble layers



## Specification (SCU-600M)

Silent Piler Main Body	
Max. Press-in Force	800 kN (82 ton)
Max. Extraction Force	900 kN (92 ton)
Stroke	1,000 mm
Mass (Including the Hose Reel)	13,400 kg
Applicable Sheet Piles	U Sheet Pile 500P 600P
Control System	Radio Control (Optional)

\* For information about other sheet pile sections, please contact to the nearest GIKEN office.

Pile Auger	
Mass	14,400 kg (For 30.0m)

**Total Mass 27,800 kg (30.0 m)**

## Specification (EU300F3)

Power Unit	
Power Source	Diesel Engine
Rated Output	Power Mode 230 kW(313 ps)/1,800 min <sup>-1</sup>
	Eco Mode 204 kW(277 ps)/1,600 min <sup>-1</sup>
Fuel Tank Capacity	500 L
Hydraulic Oil Tank Capacity	Piler Eco Oil 630L
Mobile Speed	1.4 km/h
Noise Level	Ultra-Low Noise Standard certified by MLIT of Japan
Exhaust emission regulations	The Off-road Regulations of Japan
Mass	7,980 kg

\*Including 20m long hydraulic hoses, full fuel & rating volume of hydraulic oil

Washing Apparatus	
Mass	320 kg

**Total Mass 8,300 kg**

## Specification (Reaction Stand)

Mass	2,000 kg
------	----------

\* The above specifications are subject to alteration without prior notice.

