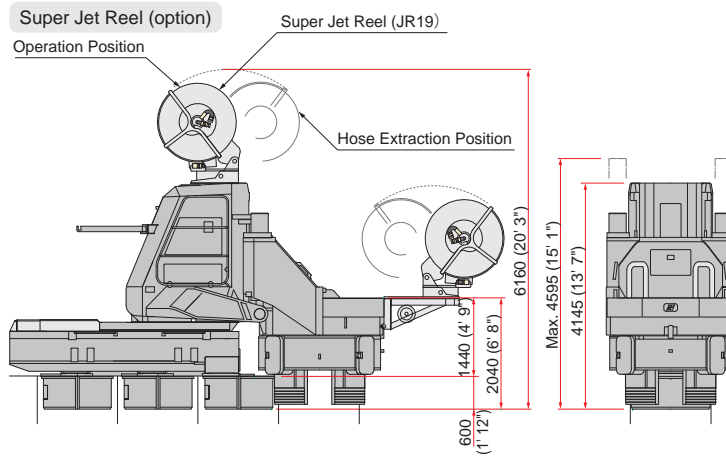
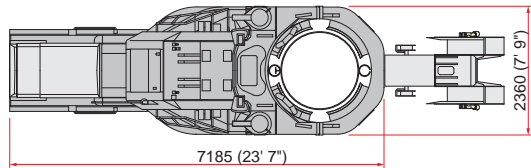


Tubular Piler PP400D



PP400D	Metric Unit	US Standard			
Applicable Piles	D 1300 - 1500 mm	D 51 - 59 in			
Max. Press-in Force	4,000 kN (408 t)	450 US ton			
Max. Extraction Force	4,150 kN (423 t)	467 US ton			
Stroke	1,000 mm	39.4 in			
Pressing-in Speed	1.4 - 21.9 m/min	4.6 - 71.9 ft/min			
Drawing-out Speed	1.0 - 15.3 m/min	3.3 - 50.2 ft/min			
Power Unit Type	EU200 Crawler Unit				
Weight	Silent Piler	60,650 kg	D1300	133,709 lb	D51
		63,000 kg	D1500	138,890 lb	D59
	Super Jet Reel	1,800 kg	3,968 lb		

Specifications are subject to alteration without prior notice.