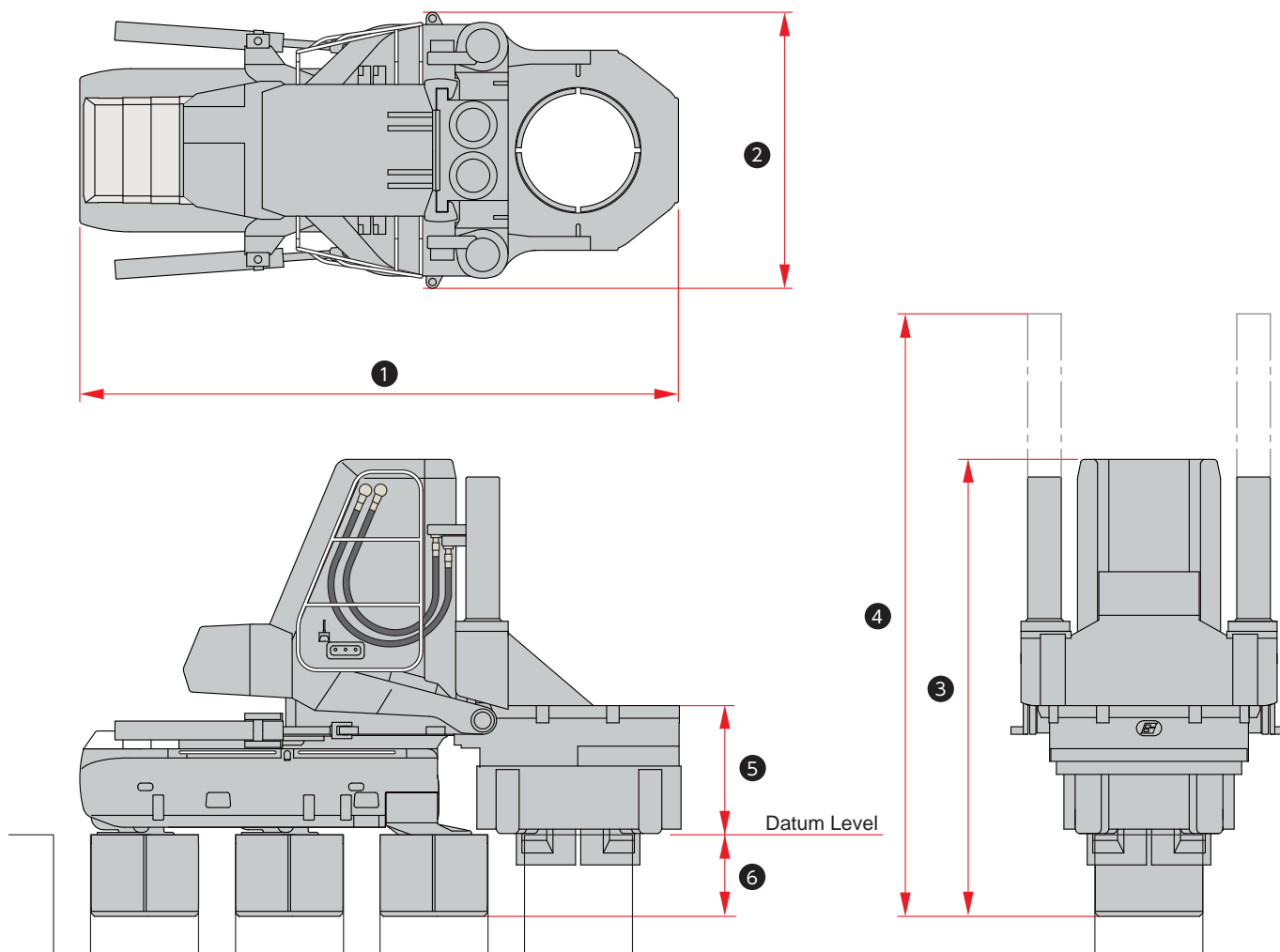


Gyro Piler: Dedicated Models for Vertical Press-in



Models	GRV0615 (SP3)	GRV0926 (SP4)	GRV1026 (SP7)	GRV1226 (SP5)
Press-in Force	1500 kN (153 ton)	2600 kN (265 ton)	2600 kN (265 ton)	2600 kN (265 ton)
Stroke	1200 mm	1300 mm	1300 mm	1300 mm
① Length	3530 mm - 3610 mm	4700 mm - 5060 mm	4900 mm - 5410 mm	5130 mm - 6120 mm
② Width	1640 mm	2200 mm	2055 mm	2200 mm
③ Height	3000 mm	3640 mm	3700 mm	3640 mm
④ Max. Height	4020 mm	4800 mm	4800 mm	4800 mm
⑤ Chuck Height	1180 mm	1040 mm	1135 mm	1080 mm
⑥ Clamp Depth	400 mm	640 mm	645 mm	650 mm
Power Unit	EU300	EU300	EU300	EU300
Mass	15,500 kg (D500)	29,500 kg (D800)	32,800 kg (D1000)	31,800 kg (D1100)
Applicable Pile	Tubular Pile D500 - 600	Tubular Pile D700 - 900	Tubular Pile D800 - 1000	Tubular Pile D1000 - 1200