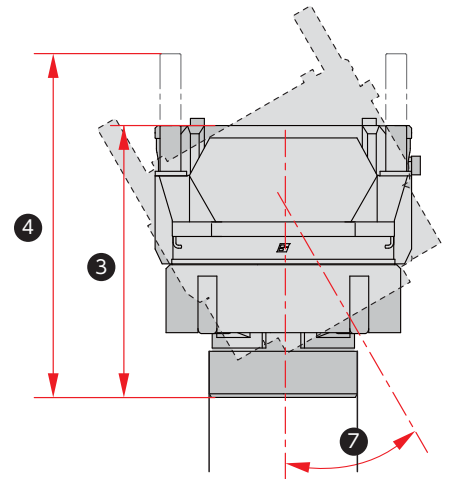
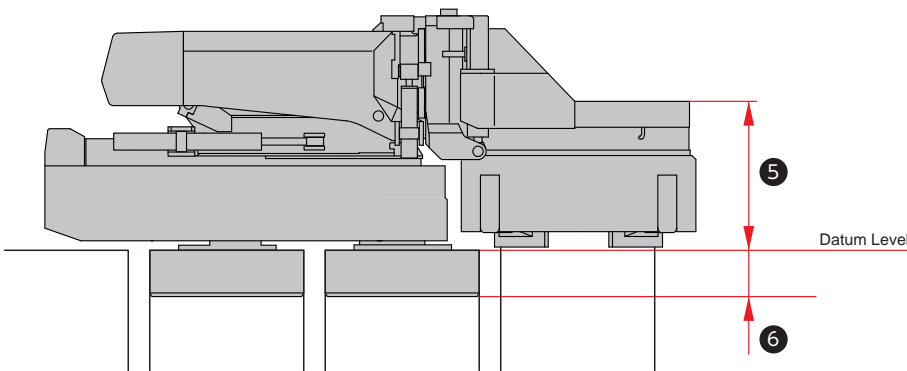
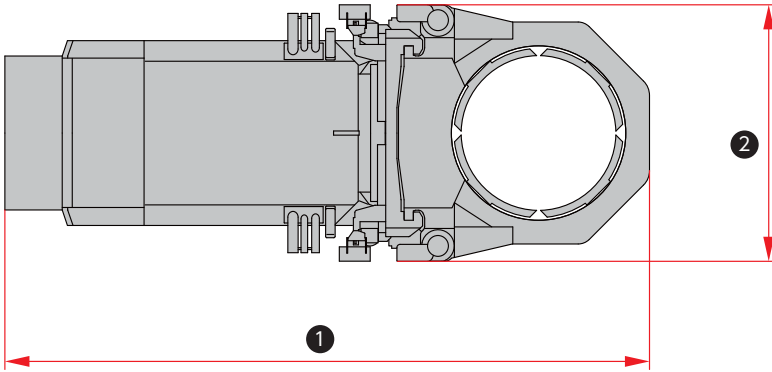


Gyro Clear Piler: For Ultra-low Overhead Clearance



Models	GRAL1015 (SP6)	GRAL1520 (SP8)
Press-in Force	1500 kN (153 ton)	2000 kN (205 ton)
Stroke	700 mm	800 mm
① Length	4810 mm	6110 mm
② Width	2140 mm	2280 mm
③ Height	2360 mm	3170 mm
④ Max. Height	3000 mm	3620 mm
⑤ Chuck Height	1160 mm	1560 mm
⑥ Clamp Depth	300 mm	470 mm
⑦ Mast Inc. Angle	30 Degrees, Either Side	30 Degrees, Either Side
Power Unit	EU200 + EU300	EU500
Mass	28,000 Kg (D1000)	42,900 Kg (D1500)
Applicable Pile	Tubular Pile D800 - 1000	Tubular Pile D1300 - 1500

Specifications are subject to alteration without prior notice.