

SILENTPIER

ECO100

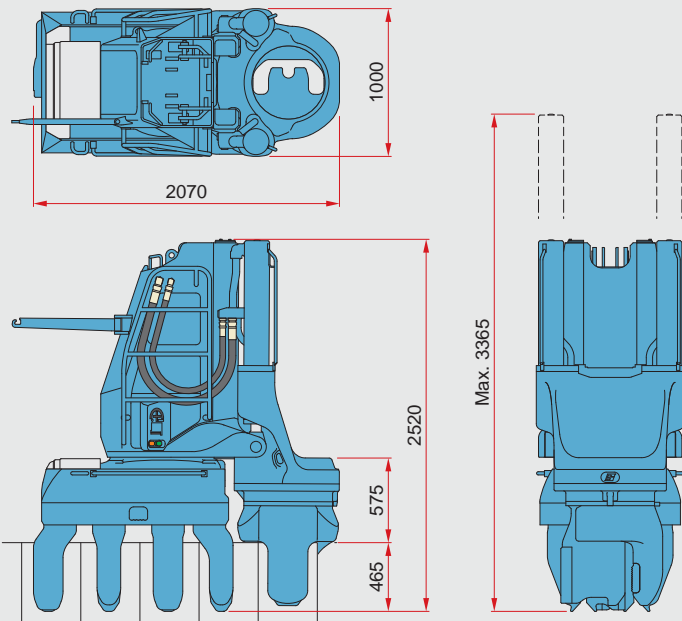
Registered in **NETIS** (New Technology Information Service System, Japanese MLIT)

Registration number : **CB-060028-V**



GIKEN

ECO100-4CA

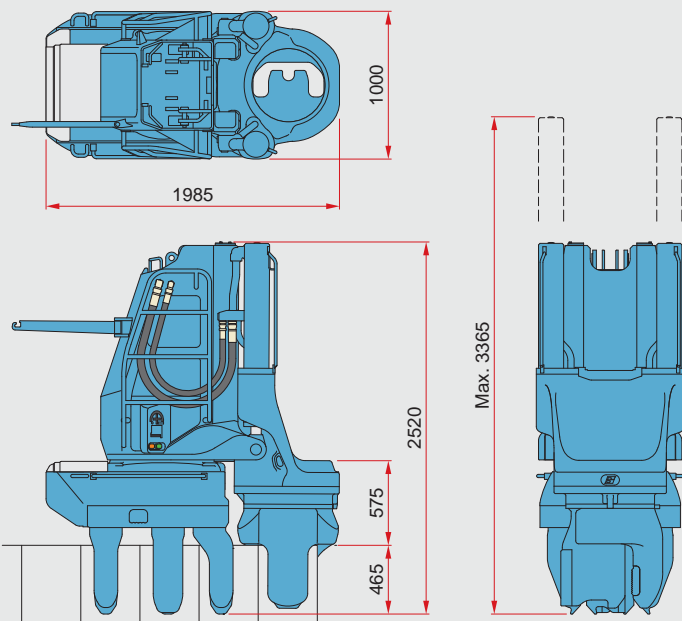


SILENT PILER		ECO100-4CA, 3CA
Applicable sheet piles		JSP (400mm width) Type II, III, IV
Max. Press-in Force		1000 kN (102 tons)
Max. Extraction Force		1100 kN (112 tons)
Stroke		850 mm
Press-in Speed		1.9 to 35.2 m/min
Extraction Speed		1.8 to 24.9 m/min
Control System		Radio Control
Movement		Self-Moving
Mass	ECO100-4CA	7050 kg
	ECO100-3CA	6600 kg

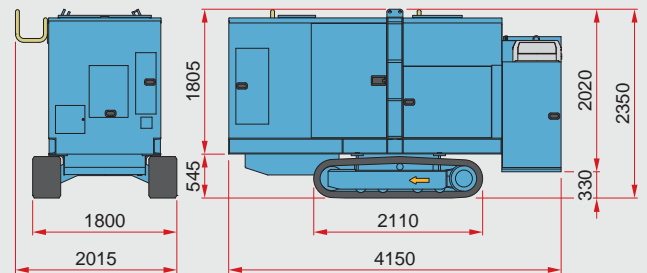
Power Unit		EU200 I3
Power Source		Diesel Engine
Rated Output	Power Mode	195 kW (265 PS)/1800 min ⁻¹
	Eco Mode	173 kW (235 PS)/1600 min ⁻¹
Fuel Tank Capacity		400 L
Hydraulic Oil Tank Capacity		490 L
Moving Speed		1.4 km/h
Mass (Incl. Crawler & MB)		6650 kg

Reaction Stand		
Mass	ECO100-4CA	1250 kg
	ECO100-3CA	1120 kg

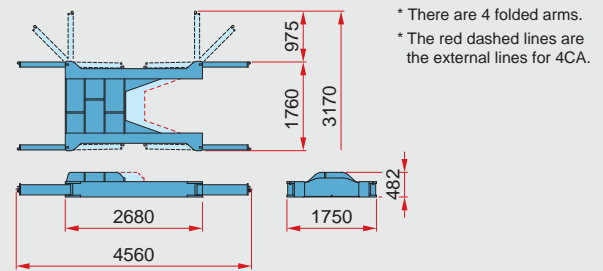
ECO100-3CA



EU200 I3



Reaction Stand



* The above specifications are subject to alteration without prior notice.

GIKEN Construction Solutions Company

GIKEN SEISAKUSHO CO., LTD.

JP	International Dep. Tel.: +81-(0)88-846-2980	Fax: +81-(0)88-826-5288	E-mail: international@giken.com 3948-1 Nunoshida, Kochi-shi, Kochi 781-5195, Japan
CN	Shanghai Office Tel.: +86-21-5116-7170	Fax: +86-21-5116-7116	E-mail: shanghai@giken.com 21st Floor, Bank of Shanghai Tower, 168 Yincheng Zhong Road, Pudong, Shanghai 200120, China

GIKEN SEISAKUSHO ASIA PTE., LTD.

SG	Head Office Tel.: +65-6863-0330	Fax: +65-6863-1141	E-mail: info@gikenasia.com 10 Hoe Chiang Road, #05-02 Keppel Towers, Singapore 089315
HK	Hong Kong Office Tel.: +852-2724-8770	Fax: +852-2724-1330	E-mail: info@gikenasia.com Room 1304, 13/F., General Commercial Building, 156-164 Des Voeux Road, Central, Hong Kong