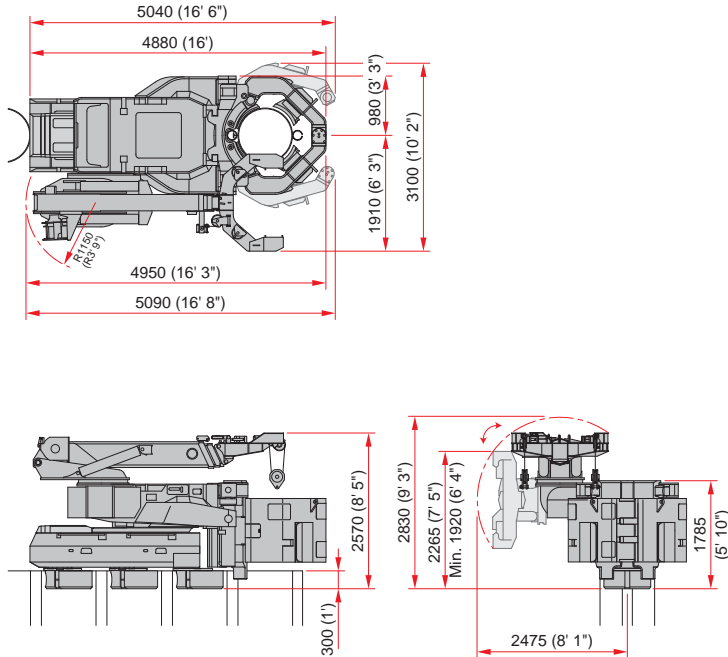


Tubular Clear Piler CLP200



CLP200	Metric Unit		US Standard		
Applicable Piles	D 800 - 1000 mm		D 32 - 40 in		
Max. Press-in Force	2,000 kN (204 tf)		225 tonf (US)		
Max. Extraction Force	2,200 kN (224 tf)		247 tonf (US)		
Stroke	700 mm		27.6 in		
Pressing-in Speed	1.2 - 13.5 m/min		3.9 - 44.3 ft/min		
Drawing-out Speed	0.9 - 9.7 m/min		3.0 - 31.8 ft/min		
Max. Lifting Capacity	2,900 kg x 4.5 m		6,400 lb x 14.8 ft		
Power Unit Type	EU200 Crawler Unit				
Weight	Silent Piler	27,000 kg	D900	59,500 lb	D36
	Crane	1,870 kg		4,100 lb	
Total Machine Weight	28,870 kg	D900	63,700 lb	D36	

Specifications are subject to alteration without prior notice.