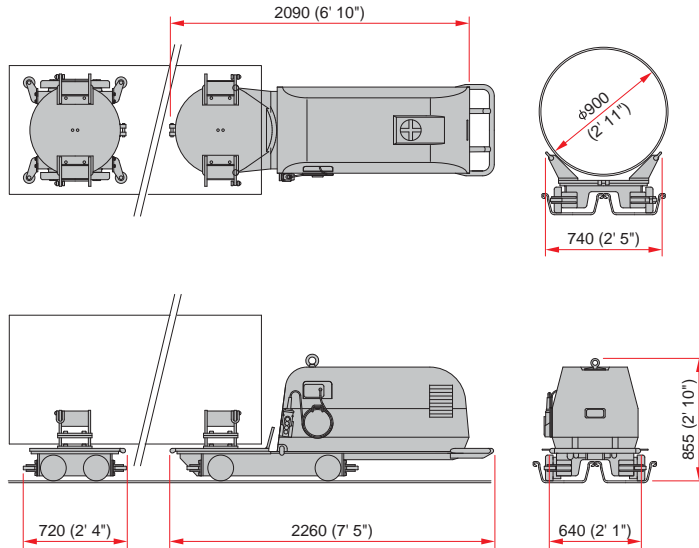


# Pile Runner TB4



TB4	Metric Unit	US Standard	
Transporting Piles	φ 800 - 900 mm	φ 32 - 36 in	
Trackway Piles	U Profile 400 mm	U Profile 15.75 in	
Load Capacity	5 000 kg	11 000 lb	
Moving Speed	15 - 30 m/min	49.2 - 98.4 ft/min	
Min. Negotiable Radius	2 000 mm	6 ft 7 in	
Power Source	Petrol Engine		
Rated Output	5 kW	6.7 HP	
Weight	Tractor	700 kg	1 540 lb
	Buggy	150 kg	330 lb
Total Machine Weight	850 kg	1 870 lb	

Specifications are subject to alteration without prior notice.