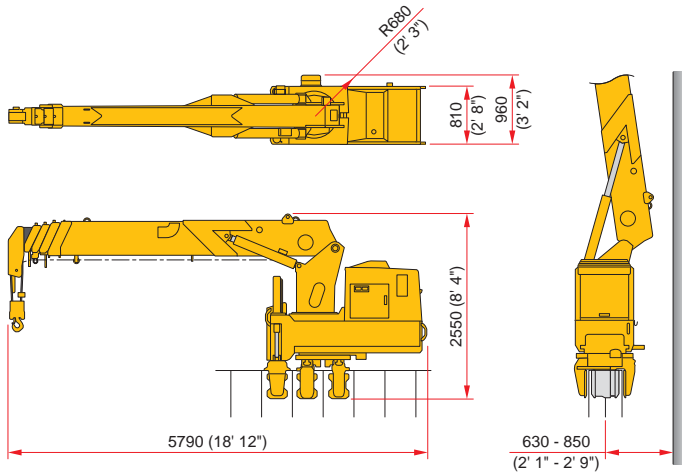


# U Clamp Crane CB1A



CB1A	Metric Unit	US Standard
Applicable Reaction Piles	400 - 600 mm	15.75 - 23.62 in
Lifting Capacity	2,950 kg x 5.0 m	6,500 lb x 16.4 ft
Max. Working Radius	400 kg x 15.7 m	880 lb x 51.5 ft
Min. Rear Turning Radius	680 mm	2 ft 3 in
Crane Operation	Radio Control	
Movement on Piles	Self-moving	
Self-moving Operation	Remote Control	
Power Source	Diesel Engine	
Rated Output	6.6 kW	8.9 HP
Weight	5,170 kg	11,400 lb

Specifications are subject to alteration without prior notice.