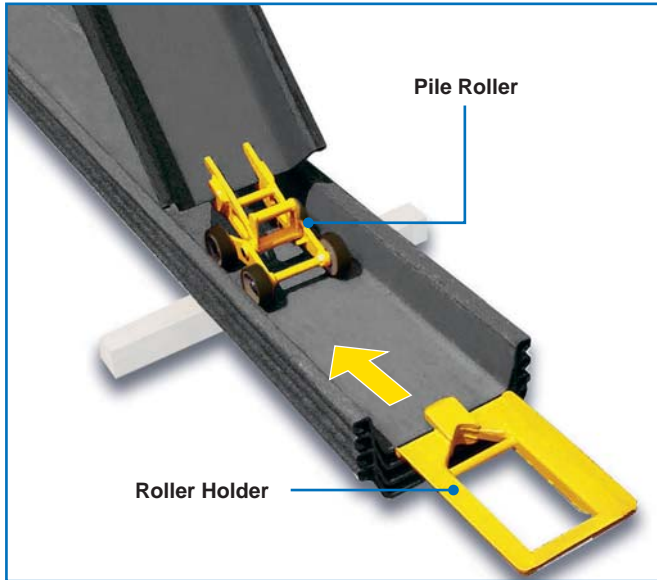


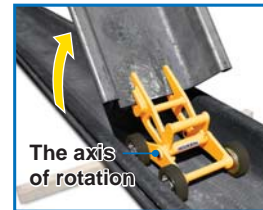
Pile Roller



Pile Roller eliminates noise and friction between piles while sheet pile is being pitched up. It makes crane work smoother and safer.



Sheet pile pitching work is easily and safely handled.



● Specifications (Sheet Pile)

Model		OP74	OP78	OP98
Mass	Pile Roller	13 kg	13 kg	13 kg
	Roller Holder	9 kg	10 kg	12 kg
Applicable sheet pile section		U sheet pile (400mm, 600mm) <small>*Type IV is not applicable.</small>	U sheet pile (500mm)	Hat sheet pile (900mm)
Max. sheet pile length		Max. 20 m	Max. 25 m	Max. 18 m

● Specifications (Tubular Pile)

Model		OP130										
Mass		22 kg										
Applicable Tubular pile	Diameter	D500	D600	D700	D800	D900	D1000	D1100	D1200	D1300	D1400	D1500
	Thickness	6~22	7~22	7~22	9~32	12~32	12~32	12~32	12~32	12~32	12~32	12~32
Max. Tubular pile mass		Max. 5 t										