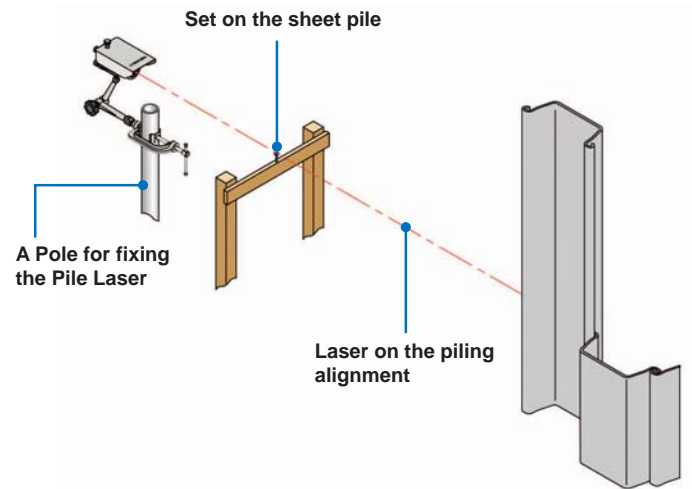


# Pile Laser



Sheet pile alignment is quickly and accurately set by a palm-sized laser diode pointer. The laser is clear under sun shine, and the unique arm function can set the alignment flexibly.



The Store Case

## ● Specifications

Mass ..... 1.5 kg (with Box 3.5 kg)  
Operation time ..... More than 50 hours  
with size D alkaline battery.