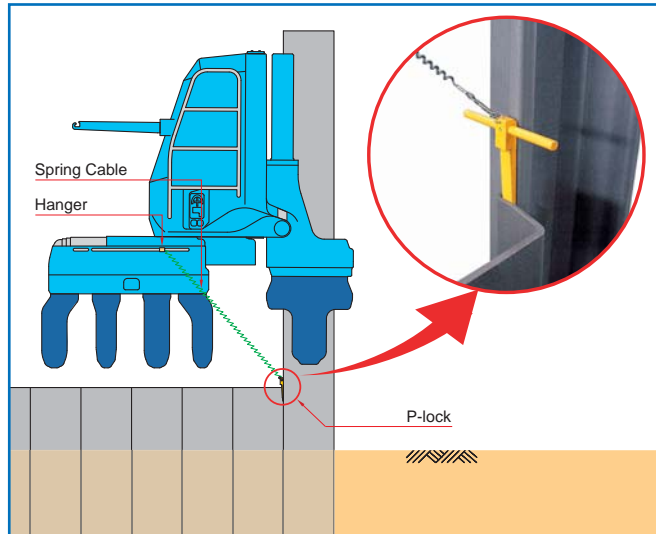


P - lock

Handy Item for Self-moving Operation



P-lock is an auxiliary device for self-moving operation of Silent Piler. It is inserted into leading interlock of the previously installed sheet pile to fix the pile being pressed-in.

- Can be used in slope piling.
- Can operate self-moving at the lowest Chuck position where Clamps can be lifted out from reaction piles.
- Super lightweight (1 / 10 of Self-moving Support Bar)
- The spring cable won't lose the P-lock.
- Placed on the hanger.



● Specifications

Mass : 1 kg
Applicable sheet piles : U profile sheet piles (400mm width)